

Double clamps, plastic with stainless steel pins for round lateral guides

Item description/product images



Description

Material:
Clamp thermoplastic.
Pin stainless steel 1.4301.

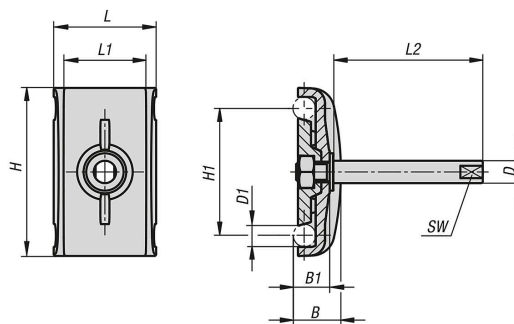
Version:
Clamp black.
Pin bright.

Note:
The double clamp is used together with round lateral guides. With this type, it is possible to mount two lateral guides one over the other. This enables higher products to be transported safely on the conveyor belt.

Through targeted product guidance on the conveyor system, the items are maintained on the conveyor belt during transportation.

Accessory:
Lateral guide holders K2293.
Lateral guide holders K2294.

Drawings



Overview of items

Double clamps, plastic with stainless steel pins for round lateral guides

Order No.	B	B1	D	D1	H	H1	L	L1	L2	SW
K2305.1208055	25,5	19,5	12	12	90	68	55	44	80	10
K2305.1608055	25,5	19,5	16	12	90	68	55	44	80	14

