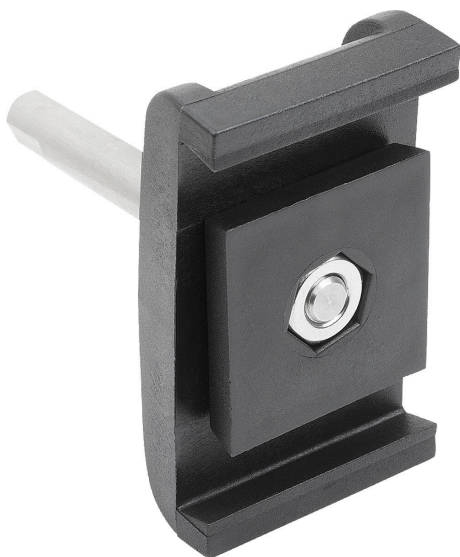


## Double clamps, plastic with stainless steel pins for lateral guides with conical holding profile

Item description/product images



### Description

#### Material:

Clamp thermoplastic.  
Pin stainless steel 1.4301.

#### Version:

Clamp black.  
Pin bright.

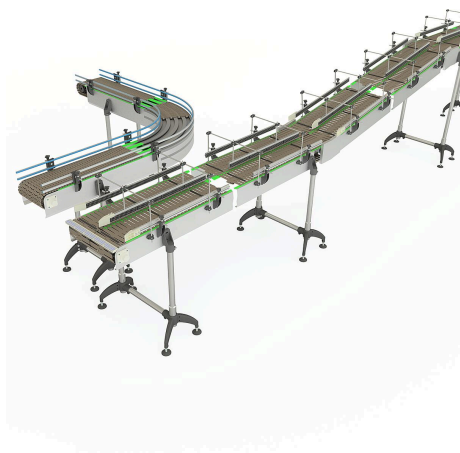
#### Note:

The double clamp is used together with the conical lateral guides K2306 and K2307. With this type, it is possible to mount two lateral guides one over the other. This enables higher products to be transported safely on the conveyor belt.

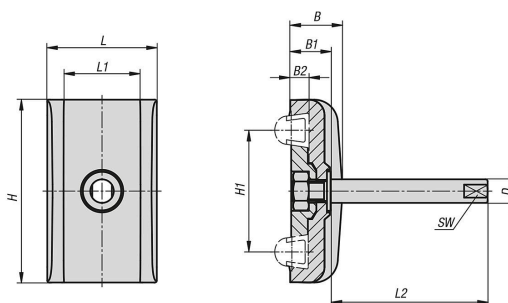
Through targeted product guidance on the conveyor system, the items are maintained on the conveyor belt during transportation.

#### Accessory:

Lateral guide holders K2293.  
Lateral guide holders K2294.  
Lateral guides K2306.  
Lateral guides K2307.



### Drawings



### Overview of items

#### Double clamps, plastic with stainless steel pins for lateral guides with conical holding profile

Order No.	B	B1	B2	D	H	H1	L	L1	L2	SW
K2304.1208056	27,5	20,5	10,5	12	93	62	56	39	80	10
K2304.1608056	27,5	20,5	10,5	16	93	62	56	39	80	14

**Double clamps, plastic with stainless steel pins for lateral guides with conical holding profile**

Overview of items

---