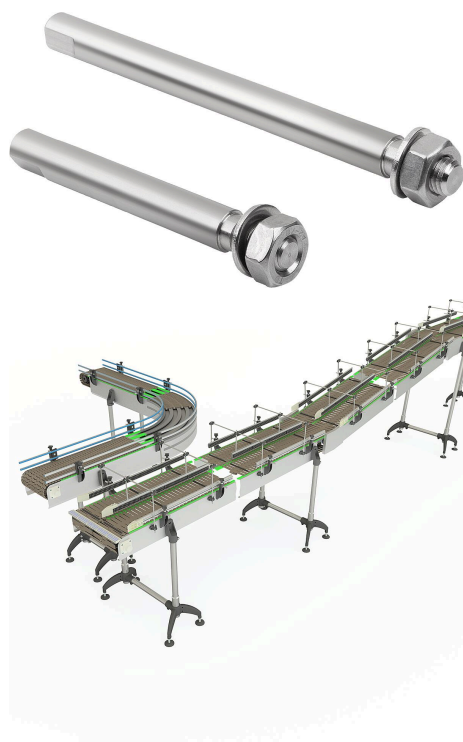


Pin, stainless steel for plastic double clamps

Item description/product images



Description

Material:

Stainless steel 1.4301.

Version:

Bright.

Note:

These pins are suitable for the double clamps K2301 and K2302. They can be clamped into the lateral guide holders K2293 and K2294 via the palm grip.

Accessory:

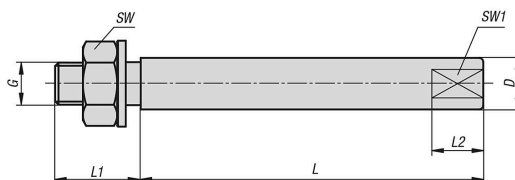
Lateral guide holder K2293.

Lateral guide holder K2294.

Double clamps K2301.

Double clamps K2302.

Drawings



Overview of items

Pins, stainless steel, for plastic double clamps

Order No.	D	G	L	L1	L2	SW	SW1
K2303.12080	12	M10	80	20	12	17	10
K2303.12130	12	M10	130	20	12	17	10
K2303.16080	16	M10	80	20	12	17	14