

## Double clamps, plastic for round lateral guides

### Item description/product images



### Description

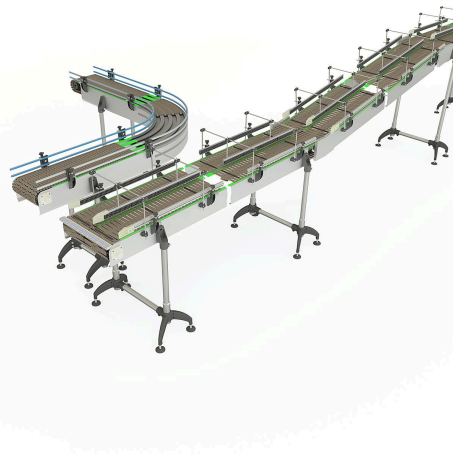
**Material:**  
Thermoplastic.

**Version:**  
black.

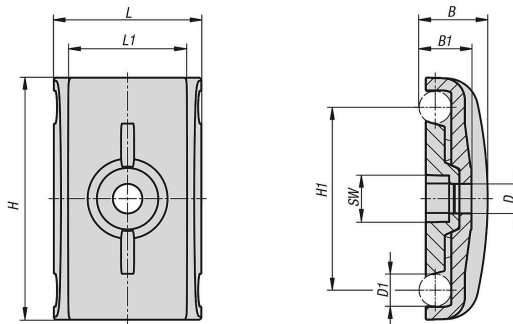
**Note:**  
The double clamp is used together with round lateral guides. With this type, it is possible to mount two lateral guides one over the other. This enables higher products to be transported safely on the conveyor belt.

Through targeted product guidance on the conveyor system, the items are maintained on the conveyor belt during transportation.

**Accessory:**  
Pin K2303.



### Drawings



### Overview of items

## Double clamps, plastic for round lateral guides

### Overview of items

---

#### Double clamps, plastic, for round lateral guides

Order No.	B	B1	D	D1	H	L	L1	SW
K2302.685512	25,5	19,5	11	12	90	55	44	17