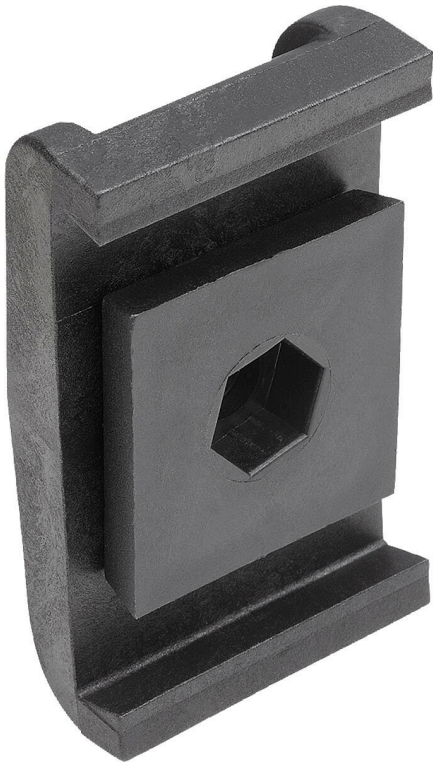


Double clamps, plastic for lateral guides with conical holding profile

Item description/product images



Description

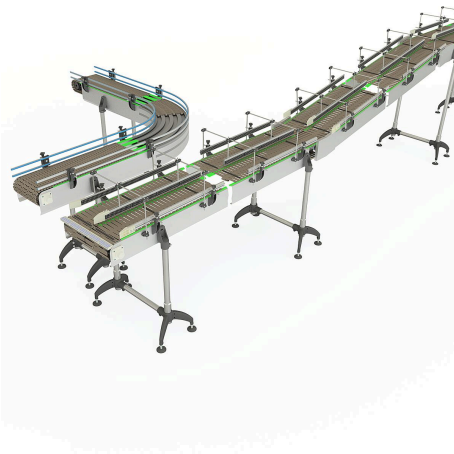
Material:
Thermoplastic.

Version:
black.

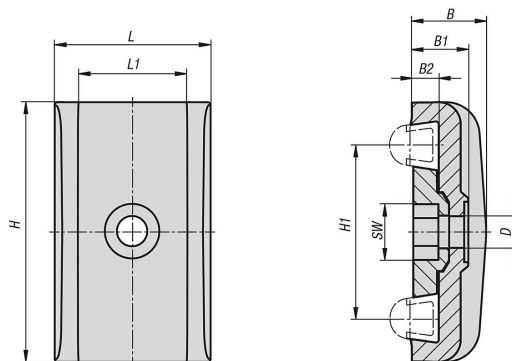
Note:
The double clamp is used together with the conical lateral guides K2306 and K2307. With this type, it is possible to mount two lateral guides one over the other. This enables higher products to be transported safely on the conveyor belt.

Through targeted product guidance on the conveyor system, the items are maintained on the conveyor belt during transportation.

Accessory:
Pin K2303.
Round guide K2306.
Flat guide K2307.



Drawings



Double clamps, plastic for lateral guides with conical holding profile

Overview of items

Double clamps, plastic for lateral guides with conical holding profile

Order No.	B	B1	B2	D	H	H1	L	L1	SW
K2301.6256	27,5	20,5	10,5	11,5	93	62	56	39	17