

Single clamps, plastic, for flat bars for lateral guides with conical holding profile

Item description/product images



Description

Material:

Clamp thermoplastic.
Nuts and screws stainless steel.

Version:

Clamp black.
Screws and nuts bright.

Note:

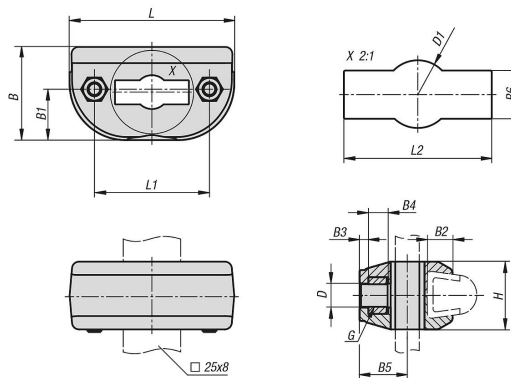
The single clamp is used together with the conical lateral guides K2306 and K2307. A pin with a diameter of $D1 = 12$ or a flat bar 25x8 can be used to adjust the height of the single clamp.

Through targeted product guidance on the conveyor system, the items are maintained on the conveyor belt during transportation.

Accessory:

Pin K2300.
Round guide K2306.
Flat guide K2307.

Drawings



Overview of items

Single clamps, plastic, for flat bars for the lateral guides with conical holder profile

Order No.	B	B1	B2	B3	B4	B5	B6	D	D1	G	H	L	L1	L2
K2298.26090	34	18	10	3	7	17	8,5	8,5	12	M8	24	58	40,6	26