

Lateral guide holder, plastic, adjustable with palm grip

Item description/product images



Description

Material:

Holder, swivel head and palm grip thermoplastic.
Eye bolt stainless steel.
Bush brass.

Version:

Holder, swivel head and palm grip black.
Eye bolt bright.
Bush nickel-plated.

Note:

Lateral guide holders are the basis for the adjustable lateral guides. They are screwed to the side of the conveyor system. The lateral guide holder can be used to clamp suitable pins (connected with a clamp for lateral guides) using the palm grip. The distance between the clamp/guide and holder can be easily and variably adjusted. The swivel head enables the position of the clamp to be adjusted through 360°.

Through targeted product guidance on the conveyor system, the items are maintained on the conveyor belt during transportation.

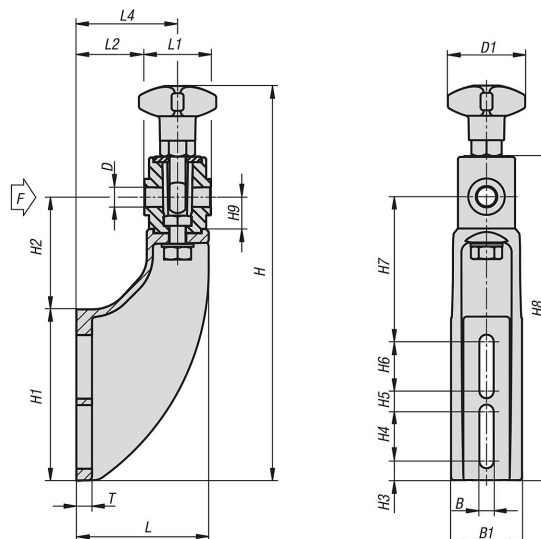
On request:

Matching spacers.
Without stop edge.
Lateral guide holder stainless steel.

Accessory:

Pin K2297.
Pin K2300.
Pin K2303.
Double clamp K2304.
Double clamp K2305.

Drawings



Lateral guide holder, plastic, adjustable with palm grip

Overview of items

Lateral guide holder, plastic, adjustable with palm grip

Order No.	B	B1	D	D1	H	H1	H2	H3	H4	H5	H6	H7	H8	H9	L	L1	L2	L4	T	F max. kN
K2294.0129	9	44,5	12,5	48	247	108	71	11	31	13	31	93	202	20	83,5	39	44,5	64	14	2,6
K2294.0169	9	44,5	16,5	48	247	108	71	11	31	13	31	93	202	20	83,5	39	44,5	64	14	3,5