

## Lateral guide holder, plastic, with palm grip

### Item description/product images



### Description

#### Material:

Holder and palm grip thermoplastic.  
Eye bolt stainless steel.  
Bush brass.

#### Version:

Holder and palm grip black.  
Eye bolt bright.  
Bush nickel-plated.

#### Note:

Lateral guide holders are the basis for the adjustable lateral guides. They are screwed to the side of the conveyor system. The lateral guide holder can be used to clamp suitable pins (connected with a clamp for lateral guides) using the palm grip. The distance between the clamp/guide and holder can be easily and variably adjusted.

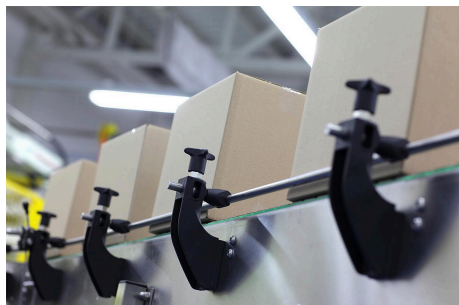
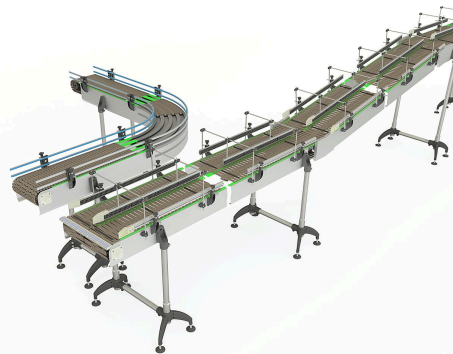
Through targeted product guidance on the conveyor system, the items are maintained on the conveyor belt during transportation.

#### On request:

Matching spacers.  
Without stop edge.  
Lateral guide holder stainless steel.

#### Accessory:

Pin K2297.  
Pin K2300.  
Pin K2303.  
Double clamp K2304.  
Double clamp K2305.

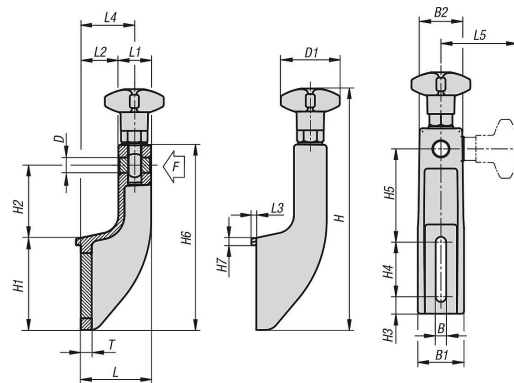


# Lateral guide holder, plastic, with palm grip

## Item description/product images



## Drawings



## Overview of items

### Lateral guide holder, plastic, with palm grip

Order No.	B	B1	B2	D	D1	H	H1	H2	H3	H4	H5	H6	H7	L	L1	L2	L3	L4	L5	T	F max. kN
K2293.1129	9	38	35	12,5	48	199	76	60	14,5	45	76	154	5	58	27	30	5	43,5	62,5	9	2
K2293.1169	9	38	35	16,5	48	199	76	60	14,5	45	76	154	5	58	27	30	5	43,5	62,5	9	3