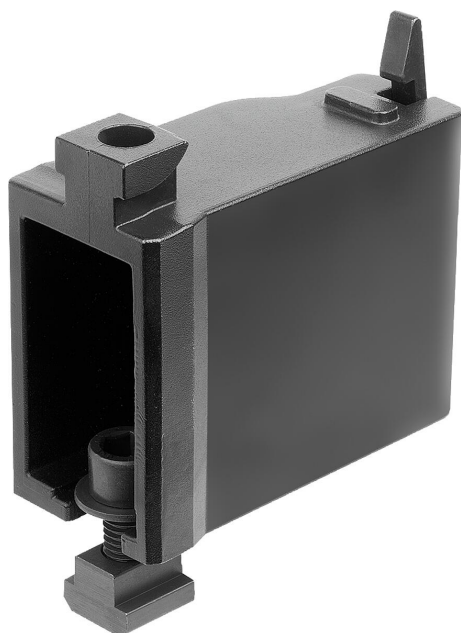


Risers with quick lock for compact power clamp

Item description/product images



Description

Material:

Carbon steel.

Version:

Tempered, black electro zinc-plated.

Note:

When using the clamping element without a DIN 508 T-slot nut, the tensile strength of the mounting plate must be at least 900 N/mm².

Recommendation: construct a maximum of 2 intermediate elements on top of each other.

Advantages:

The quick-lock mechanism enables the risers to be connected to each other and to the compact power clamp without screws.

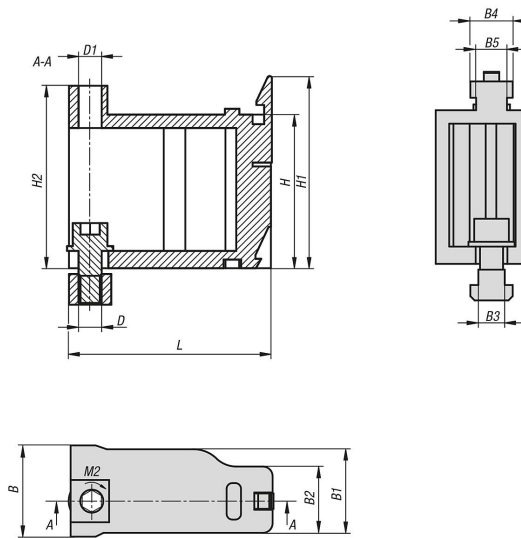
Accessory:

Power clamps compact K2227.



Risers with quick lock for compact power clamp

Drawings



Overview of items

Risers with quick lock for compact power clamp

Order No.	B	B1	B2	B3	B4	B5	D	D1	H	H1	H2	L	Tightening torque M2 Nm
K2228.1214105	47,5	43,5	34,5	14	22	16	M12	12	80	99	95	105	80