

Tongue steel, with stop

Item description/product images



Description

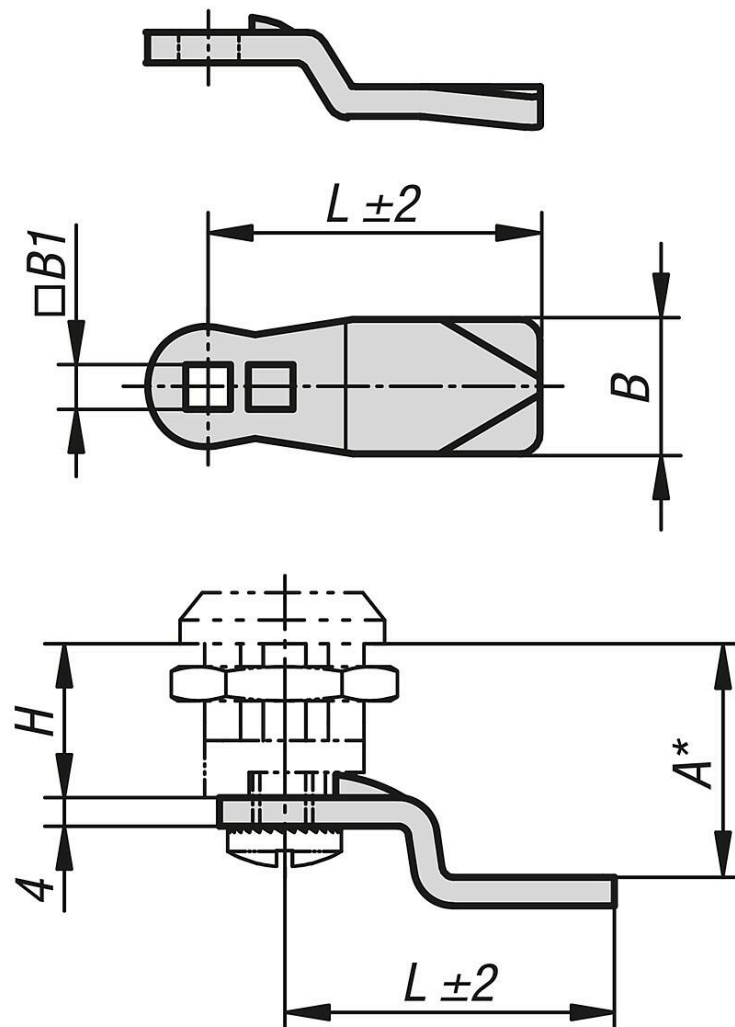
Material:
Steel.

Version:
Electro zinc-plated.

Note:
*A in mm by housing length H=18 mm, H=30 mm and H=50 mm.

Accessory:
Quarter-turn lock zinc, lockable K2216.
quarter-turn lock zinc, lockable, long version K2217.

Drawings



Overview of items

Tongue steel, with stop

Overview of items

Tongue steel, with stop

Order No.	Version 1	Version 2	A by H=18	A by H=30	A by H=50	B	B1	L	Suitable for
K2218.13506	with stop	offset upwards	6	18	38	19	8,1	35	K2216, K2217
K2218.13508	with stop	offset upwards	8	20	40	19	8,1	35	K2216, K2217
K2218.13510	with stop	offset upwards	10	22	42	19	8,1	35	K2216, K2217
K2218.13513	with stop	offset upwards	13	25	45	19	8,1	35	K2216, K2217
K2218.13514	with stop	offset upwards	14	26	46	19	8,1	35	K2216, K2217
K2218.13516	with stop	offset upwards	16	28	48	19	8,1	35	K2216, K2217
K2218.13518	with stop	straight	18	30	50	19	8,1	35	K2216, K2217
K2218.13520	with stop	offset downwards	20	32	52	19	8,1	35	K2216, K2217
K2218.13522	with stop	offset downwards	22	34	54	19	8,1	35	K2216, K2217
K2218.13524	with stop	offset downwards	24	36	56	19	8,1	35	K2216, K2217
K2218.13526	with stop	offset downwards	26	38	58	19	8,1	35	K2216, K2217
K2218.13528	with stop	offset downwards	28	40	60	19	8,1	35	K2216, K2217
K2218.14504	with stop	offset upwards	4	16	36	19	8,1	45	K2216, K2217
K2218.14506	with stop	offset upwards	6	18	38	19	8,1	45	K2216, K2217
K2218.14508	with stop	offset upwards	8	20	40	19	8,1	45	K2216, K2217
K2218.14510	with stop	offset upwards	10	22	42	19	8,1	45	K2216, K2217
K2218.14513	with stop	offset upwards	13	25	45	19	8,1	45	K2216, K2217
K2218.14514	with stop	offset upwards	14	26	46	19	8,1	45	K2216, K2217
K2218.14516	with stop	offset upwards	16	28	48	19	8,1	45	K2216, K2217
K2218.14518	with stop	straight	18	30	50	19	8,1	45	K2216, K2217
K2218.14520	with stop	offset downwards	20	32	52	19	8,1	45	K2216, K2217
K2218.14522	with stop	offset downwards	22	34	54	19	8,1	45	K2216, K2217
K2218.14524	with stop	offset downwards	24	36	56	19	8,1	45	K2216, K2217
K2218.14526	with stop	offset downwards	26	38	58	19	8,1	45	K2216, K2217
K2218.14528	with stop	offset downwards	28	40	60	19	8,1	45	K2216, K2217
K2218.14530	with stop	offset downwards	30	42	62	19	8,1	45	K2216, K2217
K2218.14532	with stop	offset downwards	32	44	64	19	8,1	45	K2216, K2217
K2218.14534	with stop	offset downwards	34	46	66	19	8,1	45	K2216, K2217
K2218.14536	with stop	offset downwards	36	48	68	19	8,1	45	K2216, K2217
K2218.14538	with stop	offset downwards	38	50	70	19	8,1	45	K2216, K2217
K2218.14540	with stop	offset downwards	40	52	72	19	8,1	45	K2216, K2217
K2218.14542	with stop	offset downwards	42	54	74	19	8,1	45	K2216, K2217