

## Sensor holders with T-slot for round cylinder

### Item description/product images



### Description

#### Product description:

Sensor holders with T-slots enable sensors to be attached to round components such as pneumatic cylinders.

#### Material:

Sensor holder POM.  
Slot profile aluminium.

#### Version:

POM black

#### Note:

For round cylinder  $\varnothing 20$ .

#### Application:

Attachment of T-slot sensors to round pneumatic cylinders.

#### Temperature range:

-20 °C - +70 °C.

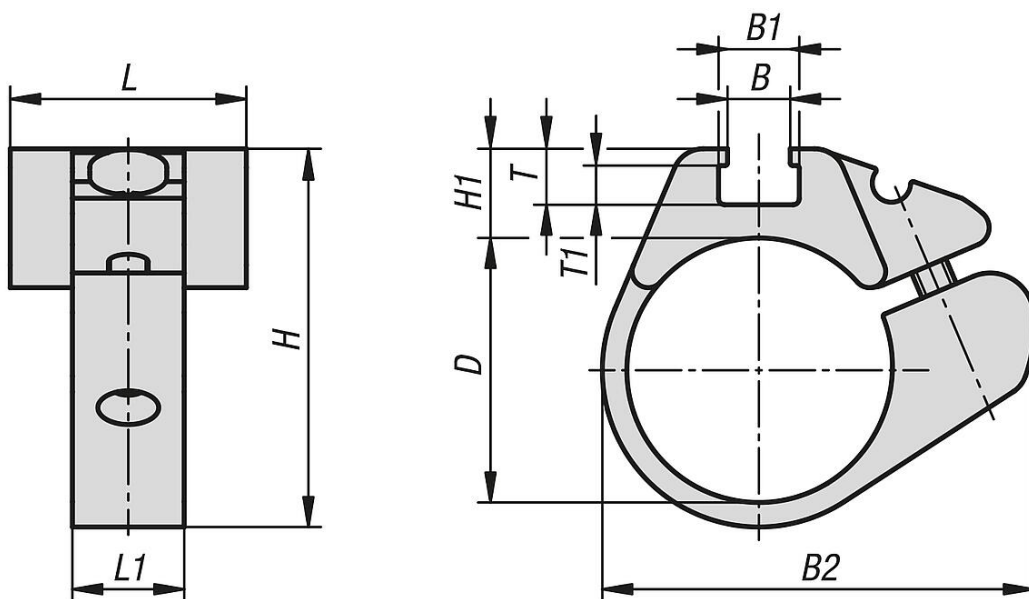
#### Assembly:

The sensor holder is connected to the component being scanned via the lock screw on the clamping ring.  
The sensor is inserted into the T-slot and clamped in place.

#### Accessory:

Stainless steel pneumatic indexing plungers K2202.  
Magnetic field sensors K2203.

### Drawings



## Sensor holders with T-slot for round cylinder

### Overview of items

---

#### Sensor holders with T-slot for round cylinder

Order No.	B	B1	B2	D	H	H1	L	L1	T = slot depth	T1
K2204.820	5,1	6,5	35	21	30,4	7,2	19	9	4,5	3,15