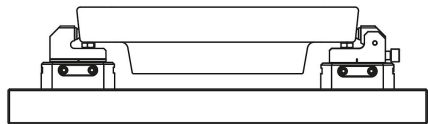
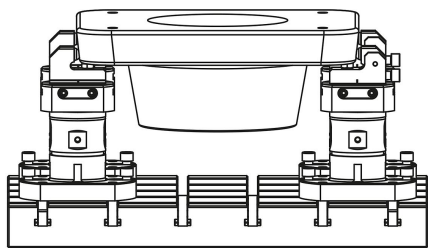
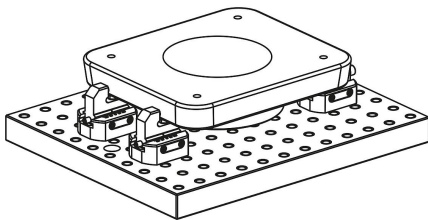


Fixed stop with swivel insert for draw-down clamping system

Item description/product images



Description

Product description:

Fixed stop with swivel insert for pre-machining for direct clamping and for machining blanks.

Material:

Steel.

Version:

Body black oxidised.

Note:

The fixed stop with swivel insert is used as a counterpart for the clamping element with swivel insert K2197. The extremely sturdy structure and compact design make the fixed stop suitable for pre-machining for direct clamping (OP10) with the 5-axis modular clamping system and for the rough part clamping of any plates and other workpieces.

The integrated self-aligning pad enables the clamping point to adapt to the workpiece geometry. This means that even oblique workpiece geometries can be clamped quickly and securely.

Various types of self-aligning pad cover a wide application range.

Any workpiece size can be clamped thanks to the two system sizes and the infinitely adjustable clamping system.

The clamping height of the workpiece can be flexibly adjusted using various positioning feet and the fine adjustment.

The interface for grid plates (grid size 40/50) and for the UNILOCK zero-point clamping system are integrated as standard.

Advantages:

- Clamping oblique workpiece geometries.
- Horizontal adjustment.
- Various workpiece seating heights possible.
- Integrated fine adjustment for clamping height.

Supplied with:

- 1 fixed stop with swivel insert.
- 1 positioning foot K0298.2081.

Accessory:

- Positioning foot K0298.
- Adapter plate for draw-down clamping system K2199.
- Adapter ring K2200.

Drawing reference:

- 1) Caution: Risk of deformation!
No clamping claws may be applied in this area!

Form A: Smooth self-aligning pad

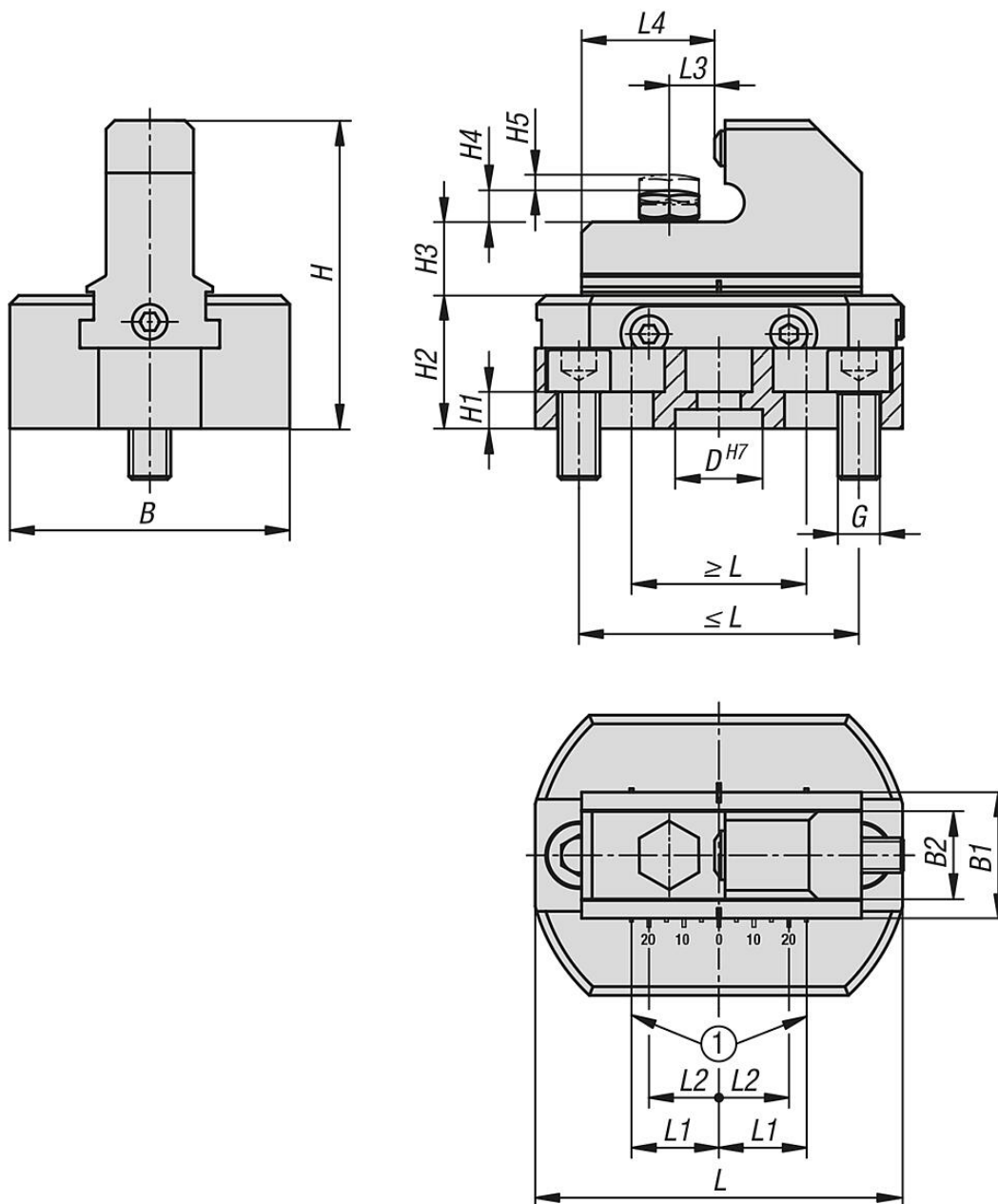
Form B: Self-aligning pad with POM insert

Fixed stop with swivel insert for draw-down clamping system

Item description/product images

Form C: Serrated self-aligning pad
 Form D: self-aligning pad with carbide insert

Drawings



Overview of items

Fixed stop with swivel insert for draw-down clamping system

Order No.	Size	Form	B	B1	B2	D	G	H	H1	H2	H3	H4	H5	L	L		L1	L2	L3	L4	F max. kN
															min.	max.					
K2198.121050802	System size 12	A	80	36	25	25	M12	91	10,5	38	21	8	5	105	50	80	25	22,5	13	38	20
K2198.121050803	System size 12	B	80	36	25	25	M12	91	10,5	38	21	8	5	105	50	80	25	22,5	13	38	20
K2198.121050804	System size 12	C	80	36	25	25	M12	91	10,5	38	21	8	5	105	50	80	25	22,5	13	38	20

Fixed stop with swivel insert for draw-down clamping system

Overview of items

Order No.	Size	Form	B	B1	B2	D	G	H	H1	H2	H3	H4	H5	L	L min.	L max.	L1	L2	L3	L4	F max. kN
K2198.121050805	System size 12	D	80	36	25	25	M12	91	10,5	38	21	8	5	105	50	80	25	22,5	13	38	20
K2198.161301002	System size 16	A	100	45	30	25	M16	116	13,5	50	25	8	7	130	80	100	33	27,5	18,75	53,75	30
K2198.161301003	System size 16	B	100	45	30	25	M16	116	13,5	50	25	8	7	130	80	100	33	27,5	18,75	53,75	30
K2198.161301004	System size 16	C	100	45	30	25	M16	116	13,5	50	25	8	7	130	80	100	33	27,5	18,75	53,75	30
K2198.161301005	System size 16	D	100	45	30	25	M16	116	13,5	50	25	8	7	130	80	100	33	27,5	18,75	53,75	30