

Corner connectors for glass pane holders

Item description/product images



Description

Material:

Holder die-cast zinc.
Screws steel.

Version:

Holder alu-tone powder coated.
Screws electro zinc-plated.

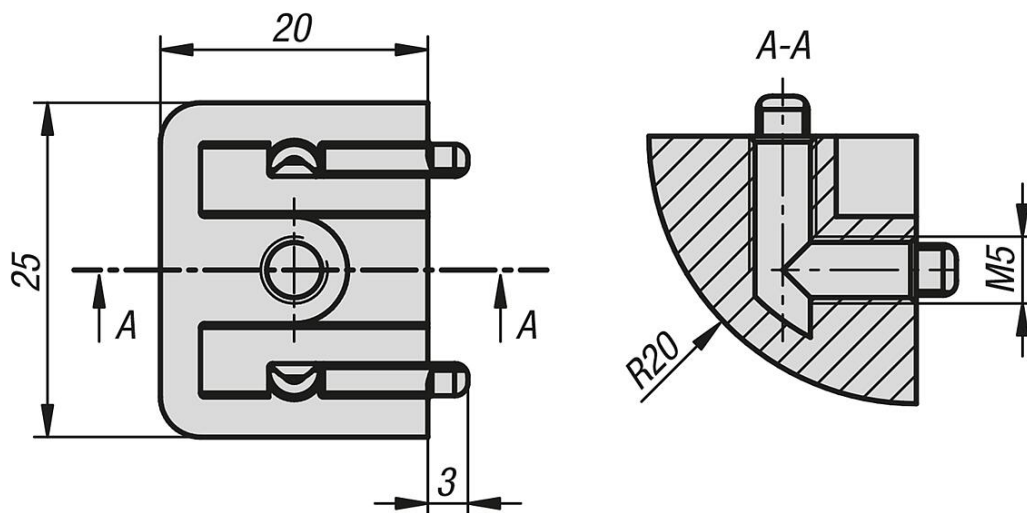
Note:

For right-angled connections of two glass panes and other sheet elements using two glass pane holders.

Supplied with:

1 Corner connector
2 M5x12 screws

Drawings



Overview of items

Corner connectors for glass pane holders

Order No.

K2193.1

