

Spacer for holder for panel elements (Multiblock 25)

Item description/product images



Description

Material:

PA plastic.

Version:

Black or grey (type I similar to RAL 7042, type B similar to RAL 7004).

Note:

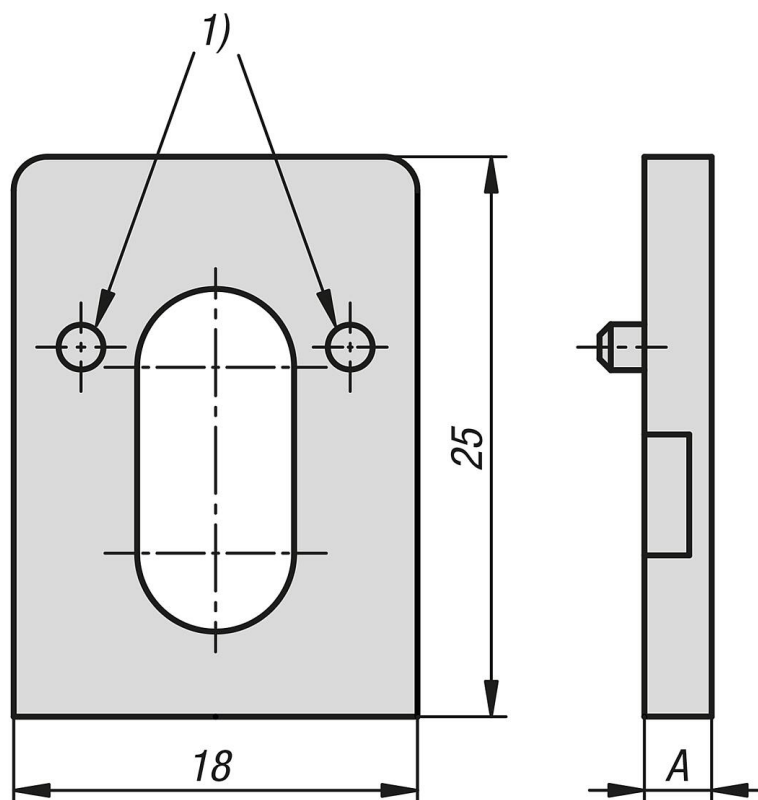
Space for attaching to the holder for panel elements. This provides various distances from the profile edge for screwing panel elements of different thicknesses flush with the aluminium profile.

The spacers can be combined by simply clipping them together (no further spacers can be clipped onto the spacer with A=2).

Drawing reference:

1) Not applicable when A=2 mm

Drawings



Spacer for holder for panel elements (Multiblock 25)

Overview of items

Spacer for holder for panel elements (Multiblock 25)

Order No.	Main colour	A	Type
K2190.120	black	2	I
K2190.130	black	3	I
K2190.150	black	5	I
K2190.220	grey	2	I
K2190.230	grey	3	I
K2190.250	grey	5	I
K2190.320	grey	2	B
K2190.330	grey	3	B
K2190.350	grey	5	B