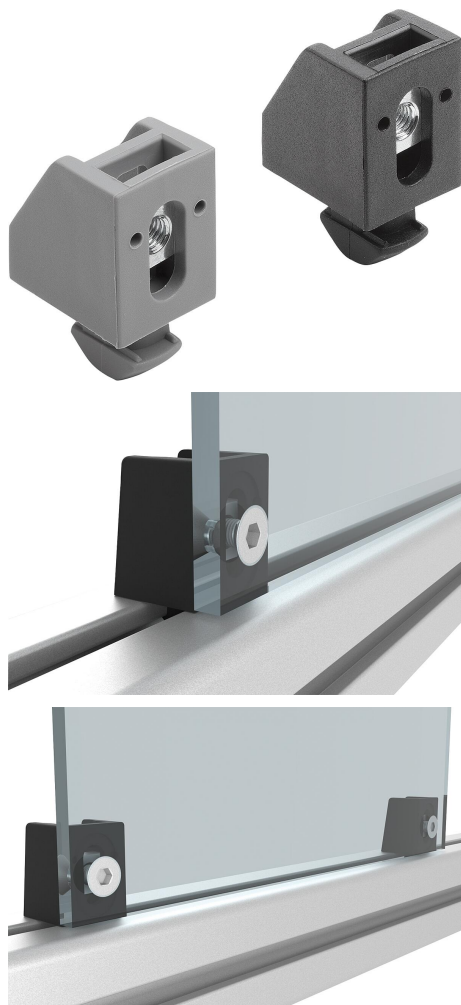


Holder for panel elements (Multiblock 25) type B and type I

Item description/product images



Description

Material:

Holder fibreglass reinforced plastic PA.
Steel nut.

Version:

Holder black or grey similar to RAL 7042.
Nut electro zinc-plated.

Note:

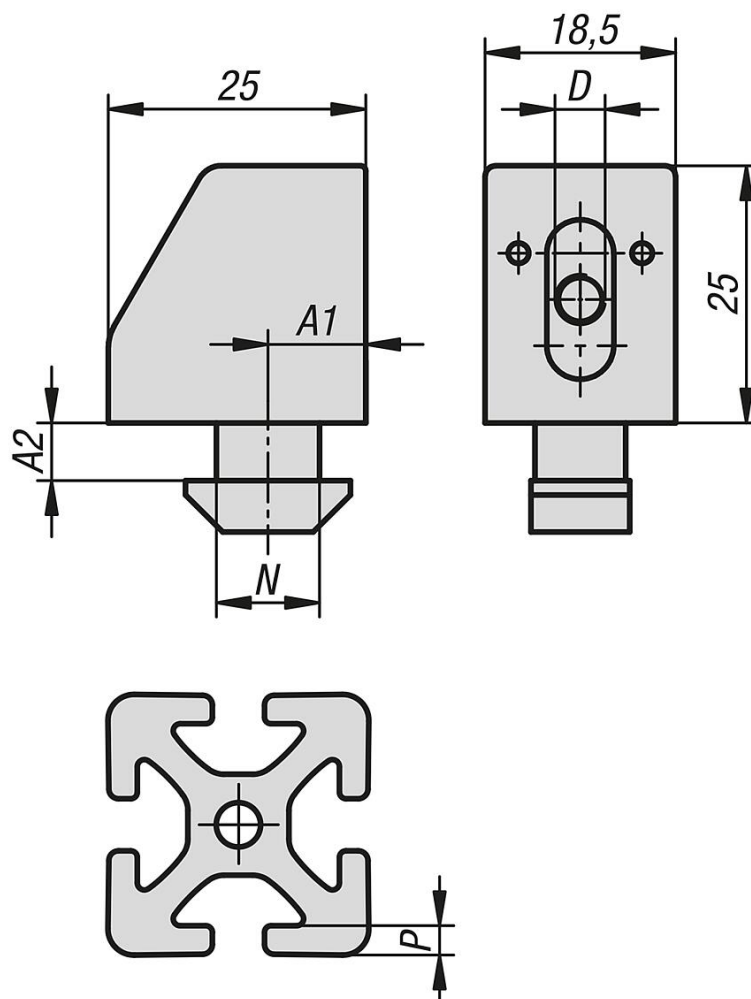
The holders facilitate the simple attachment of panel elements to aluminium profiles.

The holder can be twisted into the profile slot at any position. Lightweight plastic panel elements (acrylic glass, composite panels) or cladding panels can be mounted on these brackets. A hole must be drilled through the panel elements to enable them to be screwed to the holder. The nut in the holder can be adjusted via an elongated hole so that a certain tolerance compensation is possible.

Additional spacers can be attached to the holder. This provides various distances from the profile edge for screwing panel elements of different thicknesses flush with the aluminium profile.

Holder for panel elements (Multiblock 25) type B and type I

Drawings



Overview of items

Holder for panel elements (Multiblock 25) type B and type I

Order No.	Main colour	Type	A1	A2	D	Slot width	P
K2189.11080408	black	I	8	4,35	M4	8	4,5
K2189.11080508	black	I	8	4,35	M5	8	4,5
K2189.11080608	black	I	8	4,35	M6	8	4,5
K2189.11080412	black	I	12	4,4	M4	8	4,5
K2189.11080512	black	I	12	4,4	M5	8	4,5
K2189.11080612	black	I	12	4,4	M6	8	4,5
K2189.11080414	black	I	14	4,6	M4	8	4,5
K2189.11080514	black	I	14	4,6	M5	8	4,5
K2189.11080614	black	I	14	4,6	M6	8	4,5
K2189.12080408	black	B	8,5	5,7	M4	10	6
K2189.12080508	black	B	8,5	5,7	M5	10	6
K2189.12080608	black	B	8,5	5,7	M6	10	6
K2189.12080409	black	B	9,5	5,6	M4	10	6
K2189.12080509	black	B	9,5	5,6	M5	10	6
K2189.12080609	black	B	9,5	5,6	M6	10	6
K2189.12080414	black	B	14	6	M4	10	6
K2189.12080514	black	B	14	6	M5	10	6
K2189.12080614	black	B	14	6	M6	10	6

Holder for panel elements (Multiblock 25) type B and type I

Overview of items

Order No.	Main colour	Type	A1	A2	D	Slot width	P
K2189.21080408	grey	I	8	4,35	M4	8	4,5
K2189.21080508	grey	I	8	4,35	M5	8	4,5
K2189.21080608	grey	I	8	4,35	M6	8	4,5
K2189.21080412	grey	I	12	4,4	M4	8	4,5
K2189.21080512	grey	I	12	4,4	M5	8	4,5
K2189.21080612	grey	I	12	4,4	M6	8	4,5
K2189.21080414	grey	I	14	4,6	M4	8	4,5
K2189.21080514	grey	I	14	4,6	M5	8	4,5
K2189.21080614	grey	I	14	4,6	M6	8	4,5
K2189.22080408	grey	B	8,5	5,7	M4	10	6
K2189.22080508	grey	B	8,5	5,7	M5	10	6
K2189.22080608	grey	B	8,5	5,7	M6	10	6
K2189.22080409	grey	B	9,5	5,6	M4	10	6
K2189.22080509	grey	B	9,5	5,6	M5	10	6
K2189.22080609	grey	B	9,5	5,6	M6	10	6
K2189.22080414	grey	B	14	6	M4	10	6
K2189.22080514	grey	B	14	6	M5	10	6
K2189.22080614	grey	B	14	6	M6	10	6