

Threaded hooks type 11E and type 4E, steel

Item description/product images



Description

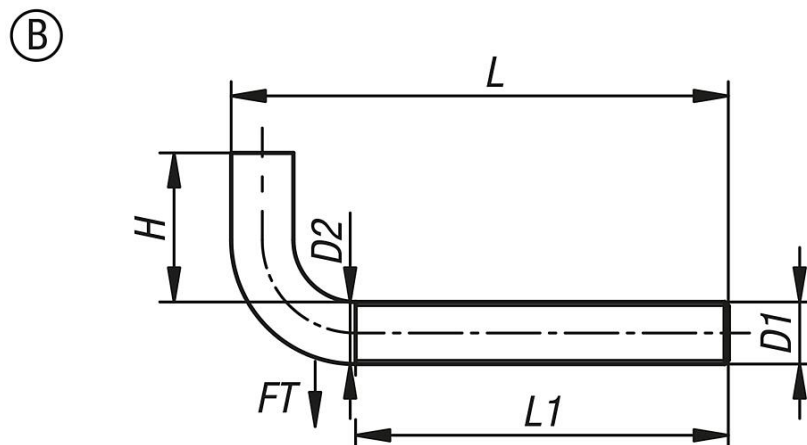
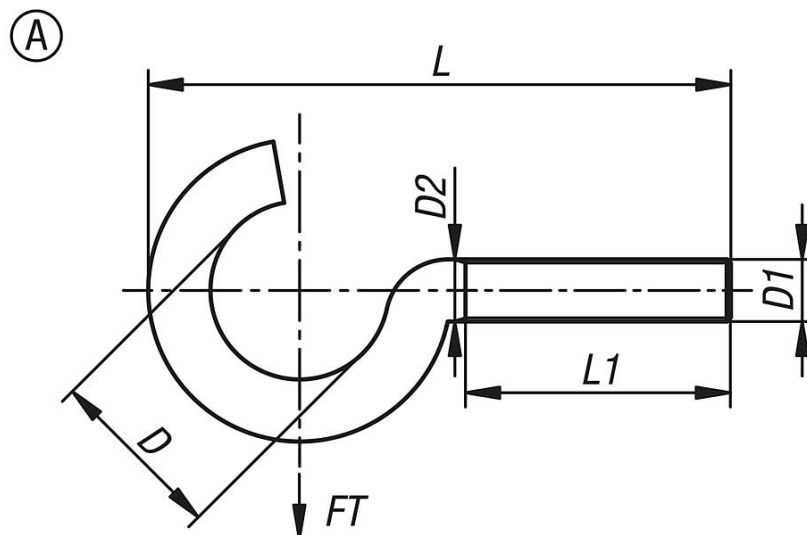
Material:
Steel.

Version:
Electro zinc-plated.

Note:

Steel threaded hooks types 11E and 4E have been specially designed for machine construction and offer reliable solutions for a multitude of fastening applications. They are made from high quality steel and guarantee a robust construction with high permissible loads. The precisely machined threads enable easy installation and offer secure fastening. Their versatility makes them ideal for securing machine components, tools and other equipment. Our threaded hooks offer durability and are a reliable choice for demanding uses in machine construction.

Drawings



Threaded hooks type 11E and type 4E, steel

Overview of items

Threaded hooks type 11E and type 4E, steel

Order No.	Form	Form definition	Version 1	D	D1	D2	H	L	L1	max. permissible load kg
K2185.00440	A	cranked	Type 11E	12	M4	3,5	-	40	20	9
K2185.00450	A	cranked	Type 11E	16	M4	3,5	-	50	25	9
K2185.00550	A	cranked	Type 11E	16	M5	4,4	-	50	23	12,5
K2185.00560	A	cranked	Type 11E	16	M5	4,4	-	60	30	12,5
K2185.00650	A	cranked	Type 11E	18	M6	5,2	-	50	20	25
K2185.00660	A	cranked	Type 11E	18	M6	5,2	-	60	30	25
K2185.00870	A	cranked	Type 11E	22	M8	7	-	70	32	40
K2185.00880	A	cranked	Type 11E	22	M8	7	-	80	42	40
K2185.10440	B	straight	Type 4E	-	M4	3,5	10	40	25	12,5
K2185.10550	B	straight	Type 4E	-	M5	4,4	12	50	35	20
K2185.10660	B	straight	Type 4E	-	M6	5,2	14	60	45	35
K2185.10860	B	straight	Type 4E	-	M8	7	18	60	45	50