

Oil level sight glass, stainless steel with safety glass

Item description/product images



Description

Material:

Housing and reflector stainless steel 1.4301.
View glass safety glass (ESG).
Flat seal and internal seal Viton®.
External seal PTFE.

Version:

Inspection glass, temperature resistant to 150 °C.

Note:

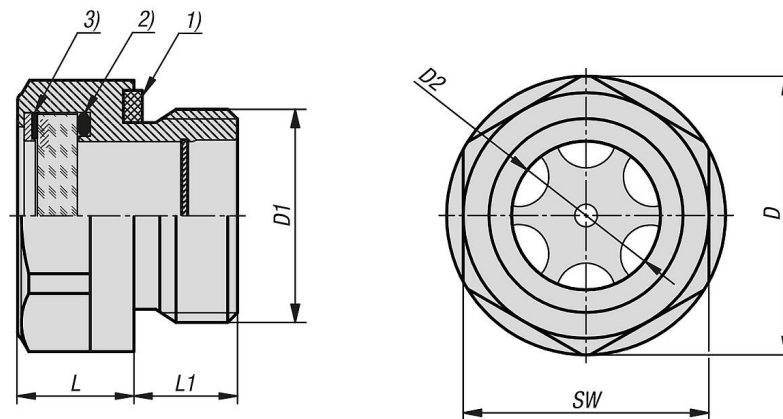
High resistance to pressure, temperature, impact and shock.
The safety glass view glass ensures optimum light transmission and maximum surface hardness.

Due to the radial and flat-sided recess, the seal is not pressed to the side when tightening.

Drawing reference:

- 1) Flat seal
- 2) Internal seal
- 3) External seal

Drawings



Overview of items

Oil level sight glass, stainless steel with safety glass

Order No.	D	D1	D2	L	L1	SW	Pressure load max. bar
K2182.22038	22	G3/8	11	10	8,2	20	16
K2182.25012	26	G1/2	13,75	10	9	24	16
K2182.32034	32	G3/4	19	10,2	9,5	29	16
K2182.39100	39	G1	25	12,3	10,5	35	16
K2182.50114	50	G1 1/4	33	13	12	46	16
K2182.221615	22	M16X1,5	11	10	8,2	20	16
K2182.272015	25	M20X1,5	13,75	10	9	23	16
K2182.322615	32	M26X1,5	19	10,2	9,5	29	16
K2182.322715	32	M27X1,5	20	10,2	9,5	29	16

Oil level sight glass, stainless steel with safety glass**Overview of items**

Order No.	D	D1	D2	L	L1	SW	Pressure load max. bar
K2182.393315	39	M33X1,5	25	12,3	10,5	35	16
K2182.504215	50	M42X1,5	33	13	12	46	16