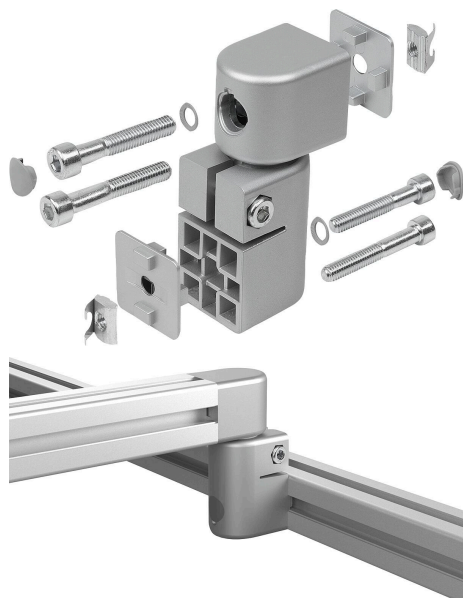


Friction joints, adjustable, single, 40/40 type B

Item description/product images



Description

Material:

Housing: die-cast aluminium.
 Inserts and friction shaft: steel.
 Cover ring and end cap: plastic.
 Slot fastening plate: die-cast aluminium.
 Screws, washers and slot keys: steel.

Version:

Housing: aluminium tone powder coated.
 Inserts and friction shaft: bright.
 Cover rings and end caps: similar to RAL 7042.
 Slot fastening plate: aluminium tone powder coated.
 Screws, washers and slot keys: electro zinc-plated.

Note:

Friction joint for constructing individual swivel arms with the aid of aluminium profiles. The friction joints have an adjustable friction torque. The frictional resistance can be infinitely adjusted using a set screw. Rotates through 360°. Grid pitch 40 mm.

The connection side can be screwed lengthways or crossways onto the profile slot so that the friction axis can be positioned at right angles to the profile.

Friction joint side can be attached to the profile lengthways, crossways or on the front. For front face mounting, there must be an M8 thread (min. 15 mm deep) in the core hole. When mounting on a flat face, the supplied slot fastening plates can simply be omitted.

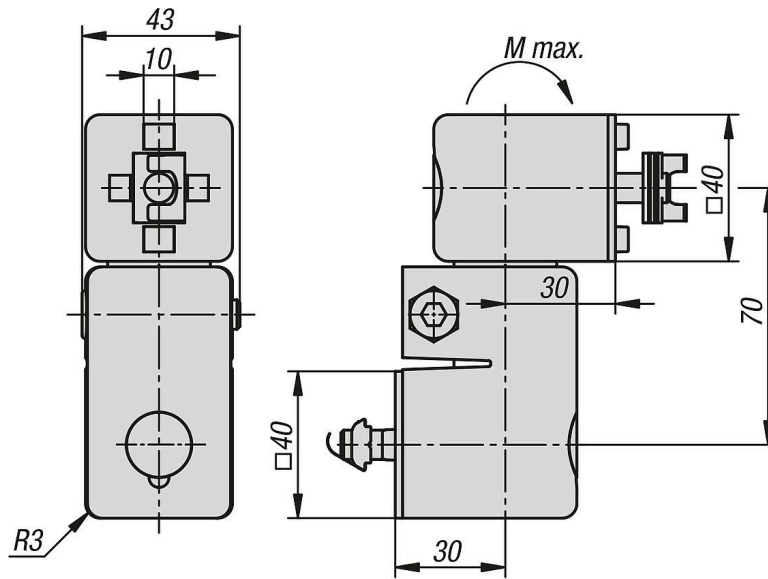
The maximum torque M is 45 Nm.

Supplied with:

- 1 Friction joint
- 2 End caps
- 2 DIN EN ISO 4762 (DIN 912) screws - M8x45 (for slot key)
- 2 DIN EN ISO 4762 (DIN 912) screws - M8x50 (for core hole)
- 2 DIN EN ISO 4762 (DIN 912) screws - M8x35 (for locking)
- 2 Washers 8-FSt
- 2 Slot fastening plates
- 2 Slot keys - slot 10 - M8

Friction joints, adjustable, single, 40/40 type B

Drawings



Overview of items

Friction joints, adjustable, single, 40/40, type B

Order No.	Type	Slot width	M Nm
K2165.1	B	10	45