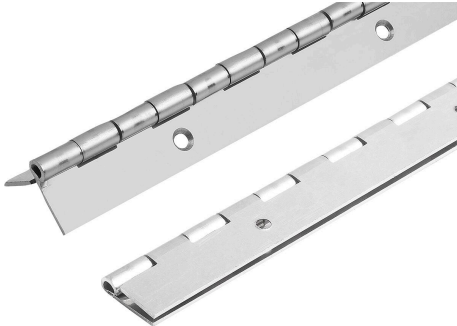


Spring assisted piano hinges, stainless steel

Item description/product images



Description

Material:

Stainless steel A2.

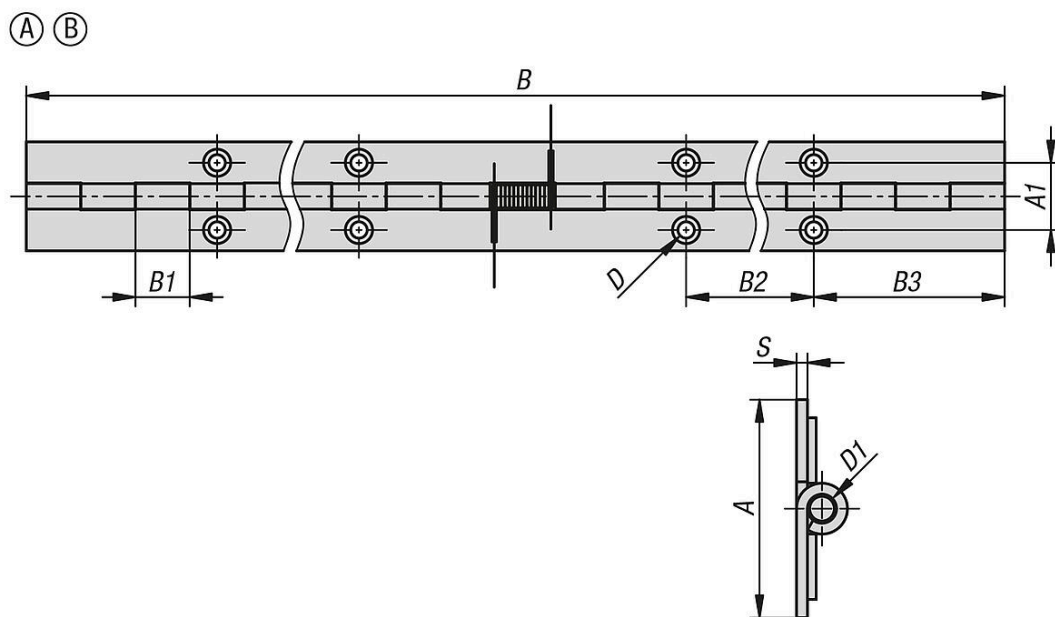
Note:

The spring assisted piano hinges offer a first-class solution for applications that require automatic opening and closing functions. Made from high-quality stainless steel, they guarantee excellent durability and corrosion resistance, making them ideal for demanding environments.

These drilled hinges are spring assisted for opening and closing, which means that they open and close automatically if they are not actively held back. This is a user-friendly function for a variety of applications.

The drilled versions facilitate installation and offer a quick and reliable fastening solution. Thanks to the precise design, spring assisted piano hinges enable smooth movement and long service life without signs of wear.

Drawings



Overview of items

Spring assisted piano hinges, stainless steel

Order No.	Version 1	Form	A	A1	B	B1	B2	B3	D	D1	S	Steel key
K2163.4019950	spring open	A	40	23	1995	15	90	52,5	4,5	4	1,5	1.4301
K2163.5019950	spring open	A	50	28	1995	15	90	52,5	4,5	4	2	1.4301
K2163.4019951	spring closed	B	40	23	1995	15	90	52,5	4,5	4	1,5	1.4301
K2163.5019951	spring closed	B	50	28	1995	15	90	52,5	4,5	4	2	1.4301

