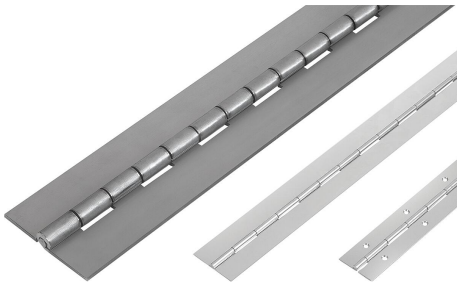


Piano hinges, steel, stainless steel or aluminium

Item description/product images



Description

Material:

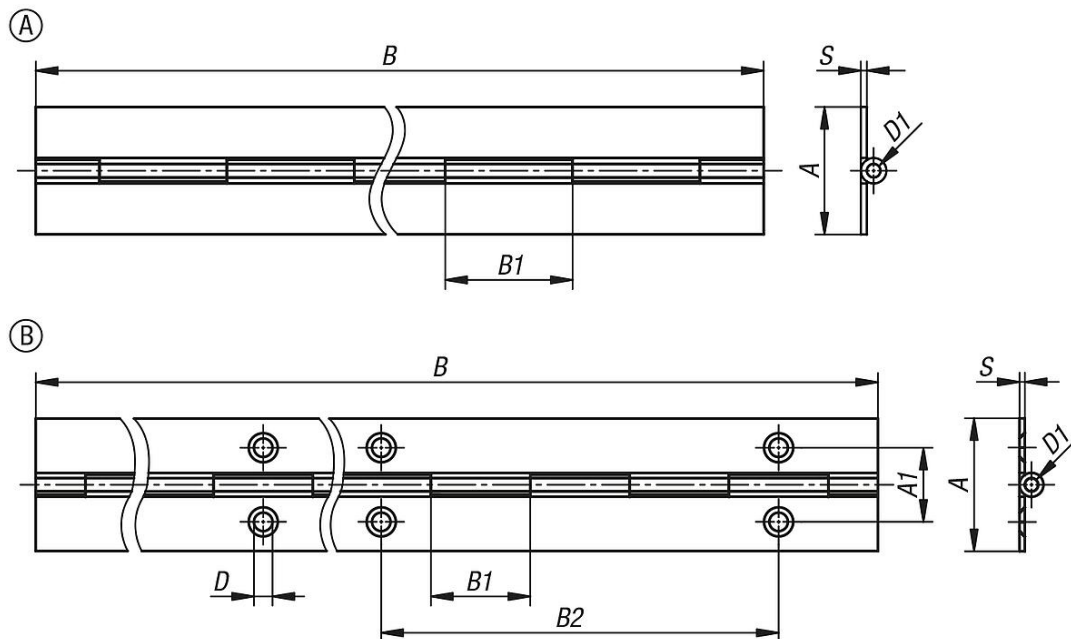
Steel, stainless steel A2 and aluminium.

Note:

The piano hinge, or long-rod hinge offers a high-quality solution for a wide range of applications. Drilled and undrilled versions are available. Made from steel, stainless steel or aluminium, these hinges offer an excellent combination of robustness and versatility.

Thanks to the precise design, piano hinges enable smooth movement and long service life without signs of wear. The drilled versions facilitate installation and offer a quick fastening solution, while the undrilled versions offer maximum installation flexibility.

Drawings



Overview of items

Piano hinges, steel, stainless steel or aluminium

Order No.	Form	Form definition	Main material	Component material	A	A1	B	B1	B2	D	D1	S	Steel code
K2161.0001508	A	not drilled	steel	steel	15	-	2040	15	-	-	1,5	0,8	-
K2161.0002008	A	not drilled	steel	steel	20	-	2040	15	-	-	2	0,8	-
K2161.0202006	A	not drilled	aluminium	steel	20	-	2000	15	-	-	2,4	0,6	-
K2161.0102008	A	not drilled	stainless steel A2	stainless steel	20	-	2040	15	-	-	2	0,8	1.4301
K2161.0002508	A	not drilled	steel	steel	25	-	2040	15	-	-	2	0,8	-
K2161.0102508	A	not drilled	stainless steel A2	stainless steel	25	-	2040	15	-	-	2	0,8	1.4301
K2161.0202508	A	not drilled	aluminium	steel	25	-	1000	15	-	-	2	0,8	-
K2161.0003008	A	not drilled	steel	steel	30	-	2040	15	-	-	2	0,8	-
K2161.0103008	A	not drilled	stainless steel A2	stainless steel	30	-	2040	15	-	-	2	0,8	1.4301
K2161.0003010	A	not drilled	steel	steel	30	-	2040	15	-	-	2	1	-
K2161.0103010	A	not drilled	stainless steel A2	stainless steel	30	-	2040	15	-	-	2	1	1.4301

Piano hinges, steel, stainless steel or aluminium

Overview of items

Order No.	Form	Form definition	Main material	Component material	A	A1	B	B1	B2	D	D1	S	Steel code
K2161.0203010	A	not drilled	aluminium	aluminium	30	-	1980	15	-	-	2	1	-
K2161.0003510	A	not drilled	steel	steel	35	-	2040	15	-	-	2	1	-
K2161.0203510	A	not drilled	aluminium	aluminium	35	-	1995	30	-	-	3	1	-
K2161.0004012	A	not drilled	steel	steel	40	-	2040	30	-	-	3	1,2	-
K2161.0104012	A	not drilled	stainless steel A2	stainless steel	40	-	2040	30	-	-	3	1,2	1.4301
K2161.0104015	A	not drilled	stainless steel A2	stainless steel	40	-	2040	15	-	-	4	1,5	1.4301
K2161.0204012	A	not drilled	aluminium	aluminium	40	-	2040	30	-	-	3	1,2	-
K2161.0005012	A	not drilled	steel	steel	50	-	2040	30	-	-	3	1,2	-
K2161.0105012	A	not drilled	stainless steel A2	stainless steel	50	-	2040	30	-	-	3	1,2	1.4301
K2161.0205012	A	not drilled	aluminium	aluminium	50	-	2040	30	-	-	3	1,2	-
K2161.0006020	A	not drilled	steel	steel	60	-	2040	30	-	-	6	2	-
K2161.0106020	A	not drilled	stainless steel A2	stainless steel	60	-	2040	30	-	-	6	2	1.4301
K2161.0206020	A	not drilled	aluminium	aluminium	60	-	1995	30	-	-	6	2	-
K2161.0007020	A	not drilled	steel	steel	70	-	2040	30	-	-	6	2	-
K2161.0107020	A	not drilled	stainless steel A2	stainless steel	70	-	2040	30	-	-	6	2	1.4301
K2161.0008030	A	not drilled	steel	steel	80	-	2000	40	-	-	6	3	-
K2161.0108030	A	not drilled	stainless steel A2	stainless steel	80	-	2000	40	-	-	6	3	1.4301
K2161.0208030	A	not drilled	aluminium	aluminium	80	-	1995	40	-	-	6	3	-
K2161.0010030	A	not drilled	steel	steel	100	-	2000	40	-	-	10	3	-
K2161.0110030	A	not drilled	stainless steel A2	stainless steel	100	-	2000	40	-	-	6	3	1.4301
K2161.0210040	A	not drilled	aluminium	steel	100	-	1000	40	-	-	10	4	-
K2161.0012050	A	not drilled	steel	steel	120	-	1000	40	-	-	10	5	-
K2161.0112020	A	not drilled	stainless steel A2	stainless steel	120	-	2100	30	-	-	6	2	1.4301
K2161.1002008	B	drilled	steel	steel	20	14	2040	15	60	2,8	2	0,8	-
K2161.1102008	B	drilled	stainless steel A2	stainless steel	20	14	2040	15	60	2,8	2	0,8	1.4301
K2161.1002508	B	drilled	steel	steel	25	14	2040	15	60	2,8	2	0,8	-
K2161.1102508	B	drilled	stainless steel A2	stainless steel	25	14	2040	15	60	3,6	2	0,8	1.4301
K2161.1003008	B	drilled	steel	steel	30	16,8	2040	15	60	3,9	2	0,8	-
K2161.1003010	B	drilled	steel	steel	30	16,8	2040	15	60	3,9	2	1	-
K2161.1103010	B	drilled	stainless steel A2	stainless steel	30	16,8	2040	15	60	3,9	2	1	1.4301
K2161.1003510	B	drilled	steel	steel	35	19,5	2040	15	60	4,5	2	1	-
K2161.1004012	B	drilled	steel	steel	40	22,7	2040	30	60	4,2	3	1,2	-
K2161.1104012	B	drilled	stainless steel A2	stainless steel	40	22,7	2040	30	60	4,2	3	1,2	1.4301
K2161.1104015	B	drilled	stainless steel A2	stainless steel	40	22,7	2040	15	60	4	4	1,5	1.4301
K2161.1005012	B	drilled	steel	steel	50	28	2040	30	60	4	3	1,2	-
K2161.1105012	B	drilled	stainless steel A2	stainless steel	50	28	2040	30	60	4	3	1,2	1.4301
K2161.1106020	B	drilled	stainless steel A2	stainless steel	60	35	2040	30	60	4	6	2	1.4301
K2161.1108030	B	drilled	stainless steel A2	stainless steel	80	35	2000	40	60	5,2	6	3	1.4301