

Swing clamps, heavy duty, extended clamping travel with collar, automation compatible

Item description/product images



Description

Product description:

Heavy-duty swing clamps with extended clamping travel are highly suitable for automated clamping processes.

At the start of the clamping process, the clamping arm performs a 90° swing movement along the integrated control cam. When this movement is completed, the linear down clamping travel is carried out.

Material:

Carbon steel.

Version:

Body black oxidised.

Shaft tempered and black oxidised.

Clamping arm tempered and black oxidised.

Type of operation:

Actuated using an impact driver with adjustable torque or manually using a clamping key.

With automated operation, e.g. using impact drivers with adjustable torque, no more than 50% of the specified maximum tightening torque or clamping force may be used for loosening and tightening.

Advantages:

Automation-compatible

High clamping forces

Rapid clamping

High rigidity

Drawing reference:

1) Swivel travel

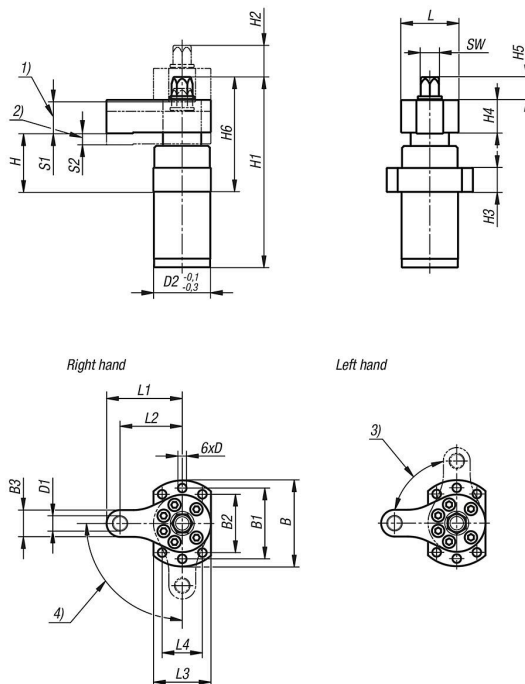
2) Clamping travel

3) Left swinging

4) Right swinging

Swing clamps, heavy duty, extended clamping travel with collar, automation compatible

Drawings



Overview of items

Swing clamps, heavy duty, extended clamping travel, with collar, automation compatible

Order No.	Version 1	B	B1	B2	B3	D	D1	D2	H	H1	H2	H3	H4	H5	H6	L	L1	L2	L3	L4	S1	S2	SW	Clamping force kN	Tightening torque max. Nm
K2158.00601	swivel to the left	70	58	44	22	6,6	M12	49	50	168	25	20	30	24	104	50	66	55	50	38	25	10	19	6	25
K2158.10601	swivel to the right	70	58	44	22	6,6	M12	49	50	168	25	20	30	24	104	50	66	55	50	38	25	10	19	6	25
K2158.01001	swivel to the left	90	74	61	28	9	M16	59	61	199	33	25	35	24	120	60	79	65	60	42	33	12	19	10	35
K2158.11001	swivel to the right	90	74	61	28	9	M16	59	61	199	33	25	35	24	120	60	79	65	60	42	33	12	19	10	35