

Hook and loop belt with buckle plastic self-extinguishing

Item description/product images



Description

Material:

Hook and loop strip polypropylene.

Buckle polyamide.

Version:

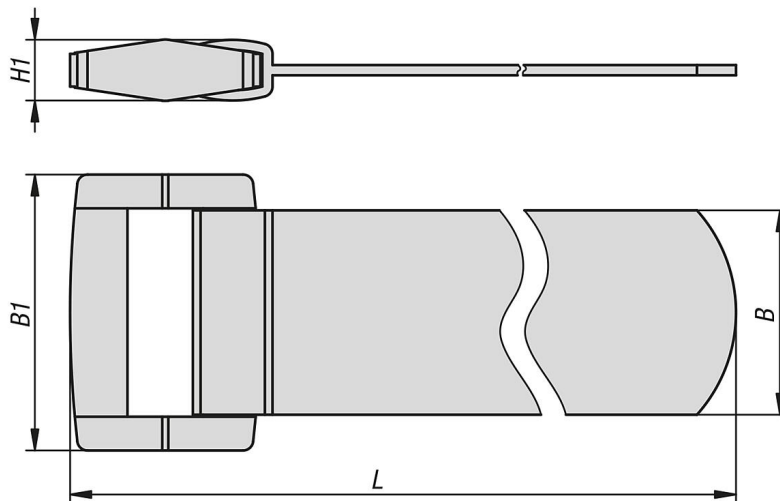
Hook and loop strip and buckle black, self-extinguishing as per UL94-V2.

Note:

High quality hook and loop strip with permanently attached plastic buckle, can be opened and fastened hundreds of times.

The hook and loop belt is best suited for bundling, ordering and securing cables and wires. It is pulled through the buckle with the fleece side facing outwards, pulled back to tighten and then securely anchored on the hook side.

Drawings



Overview of items

Hook and loop belt with buckle plastic, self-extinguishing.

Order No.	B	B1	H1	L
K2152.20170	20	27	6	170
K2152.20200	20	27	6	200
K2152.20300	20	27	6	300
K2152.20400	20	27	6	400

Hook and loop belt with buckle plastic self-extinguishing

Overview of items

Order No.	B	B1	H1	L
K2152.20500	20	27	6	500
K2152.20600	20	27	6	600