

Spherical washers and conical seats combined steel or stainless steel, similar to DIN 6319

Item description/product images



Description

Material:

Steel or stainless steel 1.4301.

Version:

Spherical washer steel, case-hardened, hardening depth min. 0.2 mm.

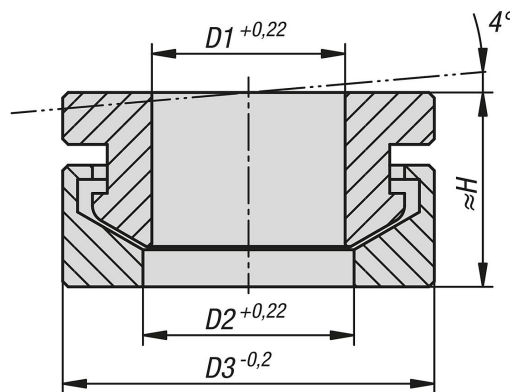
Conical seat steel, hardened and tempered.

Note:

Spherical washer and conical seat form a firmly connected and captive unit. Quick and easy assembly.

The overall height is greater than the individual parts in accordance with DIN 6319.

Drawings



Overview of items

Spherical washers and conical seats combined, steel or stainless steel, similar to DIN 6319

Order No.	Main material	D1	D2	D3	H	G	Load rating max. kN (static load only)
K2148.061	steel	6,4	7,4	13	7	M6	9
K2148.081	steel	8,4	9,7	17	8,5	M8	17
K2148.101	steel	10,5	12	21	10,4	M10	26
K2148.121	steel	13	14,2	25	13,1	M12	38
K2148.161	steel	17	19,7	32	17	M16	73
K2148.201	steel	21	24,6	40	20,3	M20	117
K2148.241	steel	25	29,4	48	24,8	M24	168
K2148.301	steel	31	36,9	60	31,5	M30	269
K2148.062	stainless steel A2	6,4	7,4	13	7	M6	6
K2148.082	stainless steel A2	8,4	9,7	17	8,5	M8	12
K2148.102	stainless steel A2	10,5	12	21	10,4	M10	16
K2148.122	stainless steel A2	13	14,2	25	13,1	M12	24
K2148.162	stainless steel A2	17	19,7	32	17	M16	45
K2148.202	stainless steel A2	21	24,6	40	20,3	M20	71
K2148.242	stainless steel A2	25	29,4	48	24,8	M24	105
K2148.302	stainless steel A2	31	36,9	60	31,5	M30	191

**Spherical washers and conical seats combined steel or stainless steel,
similar to DIN 6319**

Overview of items

