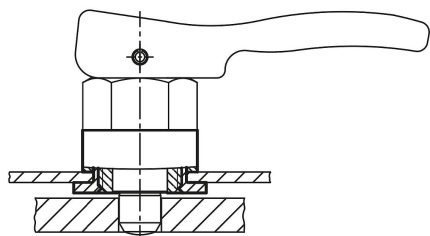


Fastening set steel or stainless steel for thin-walled parts

Item description/product images



Description

Product description:

Fastening sets for thin-walled parts are used e.g. to secure indexing plungers to sheet metal.

Material:

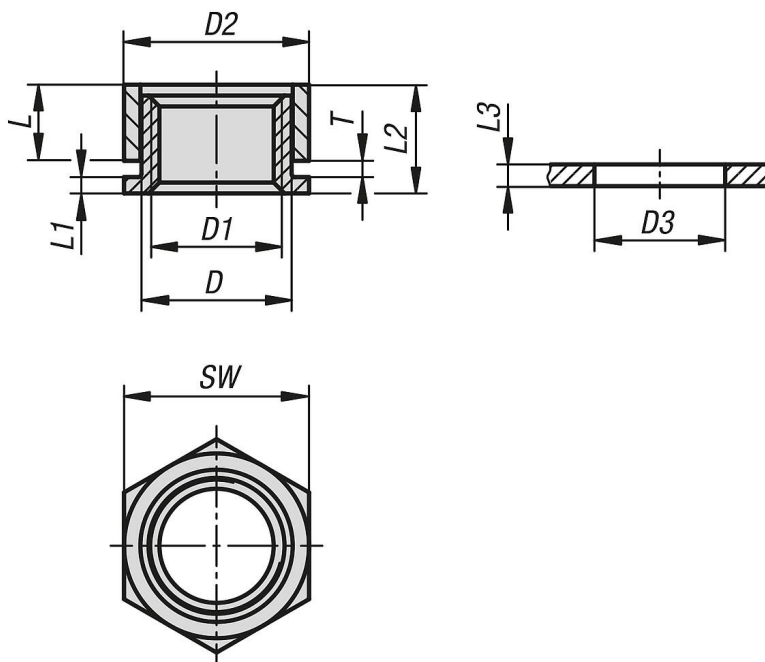
Steel or stainless steel 1.4305.

Version:

Steel, black oxidised.

Stainless steel, bright.

Drawings



Overview of items

Fastening set steel or stainless steel for thin-walled parts

Order No.	Main material	D	D1	D2	D3	L	L1	L2	L3=wall thickness	SW	T=clamping length
K2146.10115	steel	11,8	M10x1	15	12	5	1,5	8	1-2	16	1,5
K2146.10125	steel	11,8	M10x1	15	12	4	1,5	8	2-3	16	2,5
K2146.10135	steel	11,8	M10x1	15	12	3	1,5	8	3-4	16	3,5
K2146.10145	steel	11,8	M10x1	15	12	2	1,5	8	4-5	16	4,5
K2146.12115	steel	13,8	M12x1,5	17	14	7	1,5	10	1-2	17	1,5
K2146.12125	steel	13,8	M12x1,5	17	14	6	1,5	10	2-3	17	2,5
K2146.12135	steel	13,8	M12x1,5	17	14	5	1,5	10	3-4	17	3,5
K2146.12145	steel	13,8	M12x1,5	17	14	4	1,5	10	4-5	17	4,5
K2146.16120	steel	17,8	M16x1,5	22	18	8	2	12	1,5-2,5	22	2
K2146.16130	steel	17,8	M16x1,5	22	18	7	2	12	2,5-3,5	22	3
K2146.16140	steel	17,8	M16x1,5	22	18	6	2	12	3,5-4,5	22	4

Fastening set steel or stainless steel for thin-walled parts

Overview of items

Order No.	Main material	D	D1	D2	D3	L	L1	L2	L3=wall thickness	SW	T=clamping length
K2146.16150	steel	17,8	M16x1,5	22	18	5	2	12	4,5-5,5	22	5
K2146.16160	steel	17,8	M16x1,5	22	18	4	2	12	5,5-6,5	22	6
K2146.20120	steel	21,8	M20x1,5	26	22	11	2	15	1,5-2,5	27	2
K2146.20130	steel	21,8	M20x1,5	26	22	10	2	15	2,5-3,5	27	3
K2146.20140	steel	21,8	M20x1,5	26	22	9	2	15	3,5-4,5	27	4
K2146.20150	steel	21,8	M20x1,5	26	22	8	2	15	4,5-5,5	27	5
K2146.20160	steel	21,8	M20x1,5	26	22	7	2	15	5,5-6,5	27	6
K2146.110115	stainless steel	11,8	M10x1	15	12	5	1,5	8	1-2	16	1,5
K2146.110125	stainless steel	11,8	M10x1	15	12	4	1,5	8	2-3	16	2,5
K2146.110135	stainless steel	11,8	M10x1	15	12	3	1,5	8	3-4	16	3,5
K2146.110145	stainless steel	11,8	M10x1	15	12	2	1,5	8	4-5	16	4,5
K2146.112115	stainless steel	13,8	M12x1,5	17	14	7	1,5	10	1-2	17	1,5
K2146.112125	stainless steel	13,8	M12x1,5	17	14	6	1,5	10	2-3	17	2,5
K2146.112135	stainless steel	13,8	M12x1,5	17	14	5	1,5	10	3-4	17	3,5
K2146.112145	stainless steel	13,8	M12x1,5	17	14	4	1,5	10	4-5	17	4,5
K2146.116120	stainless steel	17,8	M16x1,5	22	18	8	2	12	1,5-2,5	22	2
K2146.116130	stainless steel	17,8	M16x1,5	22	18	7	2	12	2,5-3,5	22	3
K2146.116140	stainless steel	17,8	M16x1,5	22	18	6	2	12	3,5-4,5	22	4
K2146.116150	stainless steel	17,8	M16x1,5	22	18	5	2	12	4,5-5,5	22	5
K2146.116160	stainless steel	17,8	M16x1,5	22	18	4	2	12	5,5-6,5	22	6
K2146.120120	stainless steel	21,8	M20x1,5	26	22	11	2	15	1,5-2,5	27	2
K2146.120130	stainless steel	21,8	M20x1,5	26	22	10	2	15	2,5-3,5	27	3
K2146.120140	stainless steel	21,8	M20x1,5	26	22	9	2	15	3,5-4,5	27	4
K2146.120150	stainless steel	21,8	M20x1,5	26	22	8	2	15	4,5-5,5	27	5
K2146.120160	stainless steel	21,8	M20x1,5	26	22	7	2	15	5,5-6,5	27	6