

## Mushroom knobs stainless steel with internal thread and low collar

### Item description/product images



### Description

#### Material:

Stainless steel 1.4305, stainless steel 1.4404.

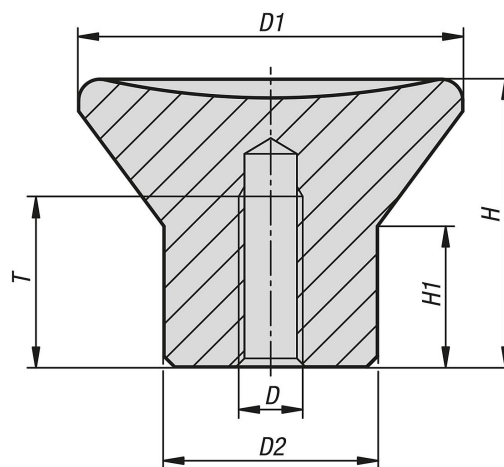
#### Version:

Fine turned or abrasive blasted.

#### On request:

With external threads.

### Drawings



### Overview of items

#### Mushroom knobs stainless steel with internal thread and low collar

Order No.	Size	Steel code	Surface finish body	D	D1	D2	H	H1	T
K2145.1902	9	1.4305	bright	M2	14	8	11	5,8	4
K2145.1003	0	1.4305	bright	M3	18	10	13,5	6,6	8
K2145.1104	1	1.4305	bright	M4	21	13	14,5	7,2	9
K2145.1105	1	1.4305	bright	M5	21	13	14,5	7,2	9
K2145.1206	2	1.4305	bright	M6	25	14	17,7	8,7	10
K2145.1308	3	1.4305	bright	M8	33	19	24	12,4	14
K2145.1410	4	1.4305	bright	M10	40	27	30	18,5	20
K2145.2902	9	1.4305	blasted	M2	14	8	11	5,8	4
K2145.2003	0	1.4305	blasted	M3	18	10	13,5	6,6	8
K2145.2104	1	1.4305	blasted	M4	21	13	14,5	7,2	9
K2145.2105	1	1.4305	blasted	M5	21	13	14,5	7,2	9
K2145.2206	2	1.4305	blasted	M6	25	14	17,7	8,7	10
K2145.2308	3	1.4305	blasted	M8	33	19	24	12,4	14
K2145.2410	4	1.4305	blasted	M10	40	27	30	18,5	20
K2145.3902	9	1.4404	bright	M2	14	8	11	5,8	4
K2145.3003	0	1.4404	bright	M3	18	10	13,5	6,6	8
K2145.3104	1	1.4404	bright	M4	21	13	14,5	7,2	9
K2145.3105	1	1.4404	bright	M5	21	13	14,5	7,2	9
K2145.3206	2	1.4404	bright	M6	25	14	17,7	8,7	10
K2145.3308	3	1.4404	bright	M8	33	19	24	12,4	14
K2145.3410	4	1.4404	bright	M10	40	27	30	18,5	20
K2145.4902	9	1.4404	blasted	M2	14	8	11	5,8	4

## Mushroom knobs stainless steel with internal thread and low collar

### Overview of items

Order No.	Size	Steel code	Surface finish body	D	D1	D2	H	H1	T
K2145.4003	0	1.4404	blasted	M3	18	10	13,5	6,6	8
K2145.4104	1	1.4404	blasted	M4	21	13	14,5	7,2	9
K2145.4105	1	1.4404	blasted	M5	21	13	14,5	7,2	9
K2145.4206	2	1.4404	blasted	M6	25	14	17,7	8,7	10
K2145.4308	3	1.4404	blasted	M8	33	19	24	12,4	14
K2145.4410	4	1.4404	blasted	M10	40	27	30	18,5	20