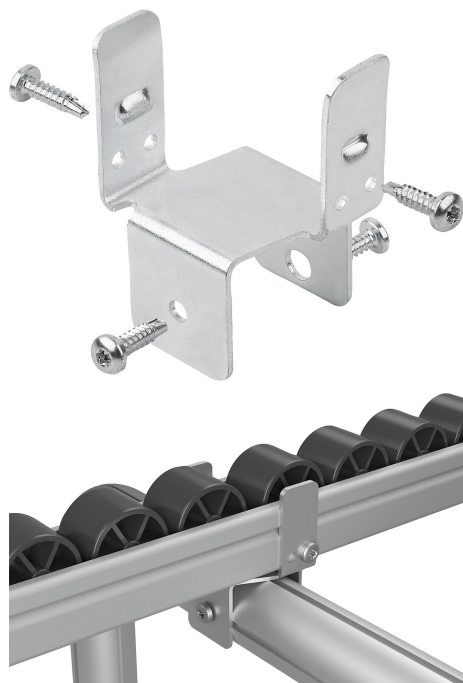


Mounting bracket Ø30, steel for roller tracks, steel

Item description/product images



Description

Material:

Steel.

Version:

Electro zinc-plated.

Note:

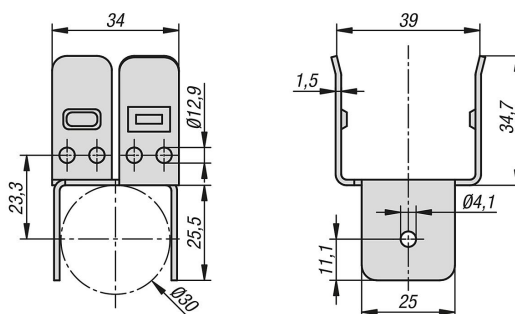
For suspending and supporting a crossing steel roller track above a Ø30 round tube or profile tube. If required, the mounting bracket can also be screwed.

Supplied with:

1 mounting bracket.

4 self-tapping screws DIN 7504 Form N - 3.9 x16.

Drawings



Overview of items

Mounting bracket Ø30, steel, for roller tracks, steel

Order No.	Main material	Surface finish body
K2140.30	steel	galvanised