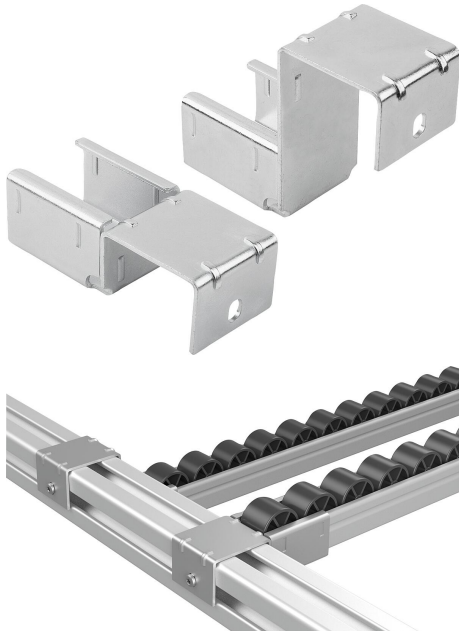


Suspension bracket 40, steel for roller tracks, steel

Item description/product images



Description

Material:

Steel.

Version:

Electro zinc-plated.

Note:

The suspension brackets are used to suspend steel roller tracks in a 40 mm aluminium profile.

Slide the roller track into the suspension bracket and attach it to the aluminium profile. If required, the suspension bracket can also be screwed into place.

Form A: without stop.

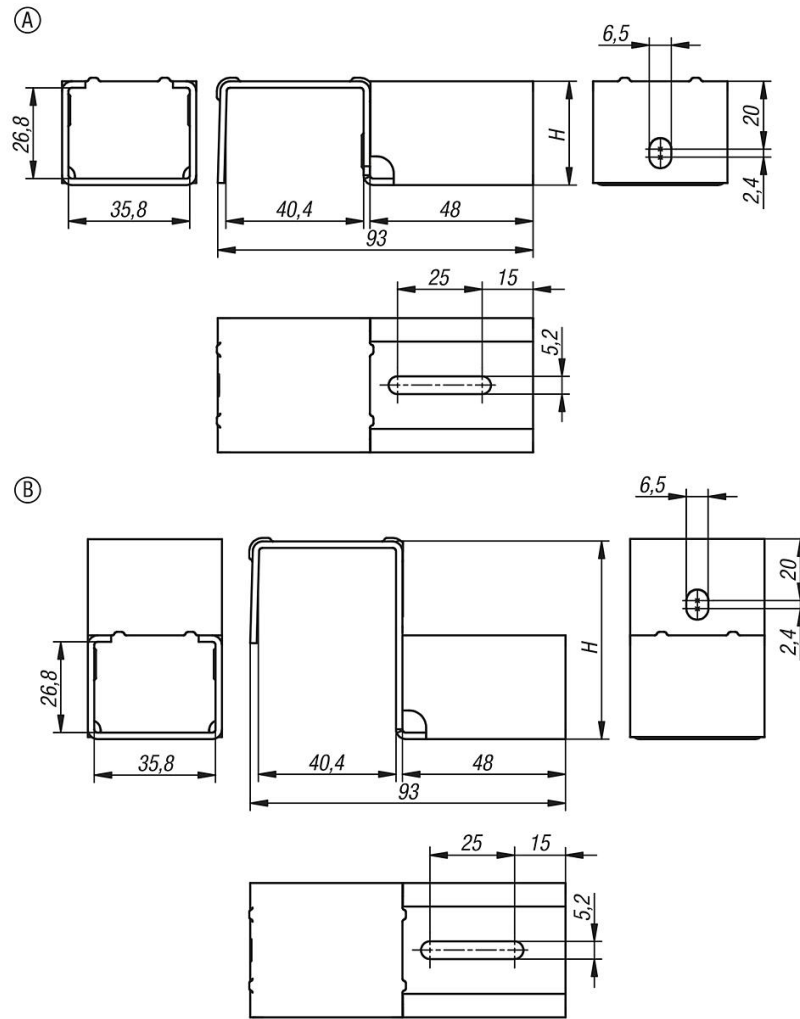
Form B: with stop. This suspension bracket acts as a stopper for goods and workpiece carriers at the end of a conveyor line.

Supplied with:

1 suspension bracket.

Suspension bracket 40, steel for roller tracks, steel

Drawings



Overview of items

Suspension bracket 40, steel, for roller tracks, steel

Order No.	Form	Form definition	H
K2139.403040	A	without stop	30,6
K2139.407240	B	with stop	72,3