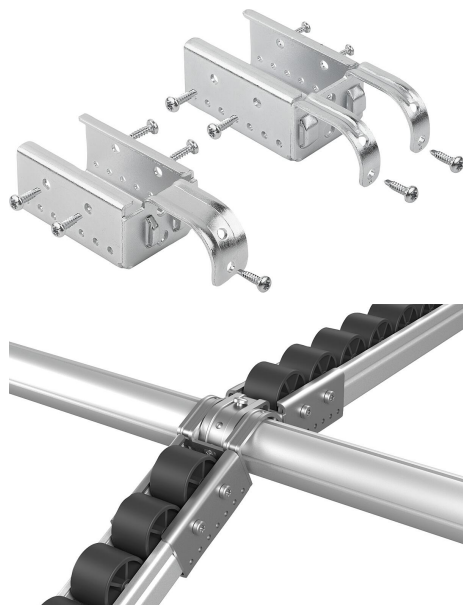


Suspension bracket variable Ø30, steel for roller tracks, steel

Item description/product images



Description

Material:
Steel.

Version:
Electro zinc-plated.

Note:
The suspension brackets are used to suspend steel roller tracks in a Ø30 round tube or profile tube. For roller tracks with varying gradients.

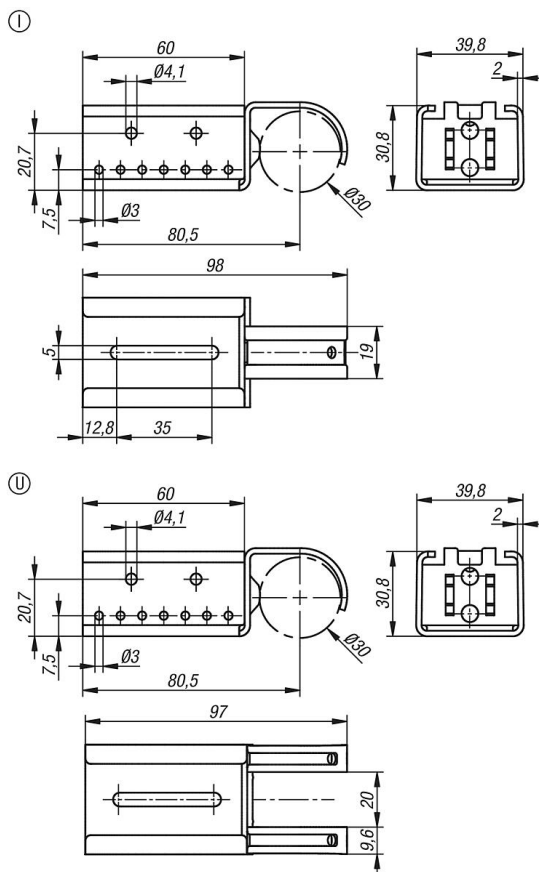
Slide the roller track into the suspension bracket and attach it to the Ø30 round tube or profile tube. If required, the suspension bracket can also be screwed into place.

Form I: with one suspension hook.
Form U: with two suspension hooks.

Form I engages with Form U. The roller track therefore remains in alignment.

Supplied with:
1 suspension bracket.
5 resp. 6 self-tapping screws DIN 7504 Form N - 3.9 x 16.

Drawings



Suspension bracket variable Ø30, steel for roller tracks, steelOverview of items

Suspension bracket variable Ø30, steel, for roller tracks, steel

Order No.	Form
K2138.1403030	I
K2138.2403030	U