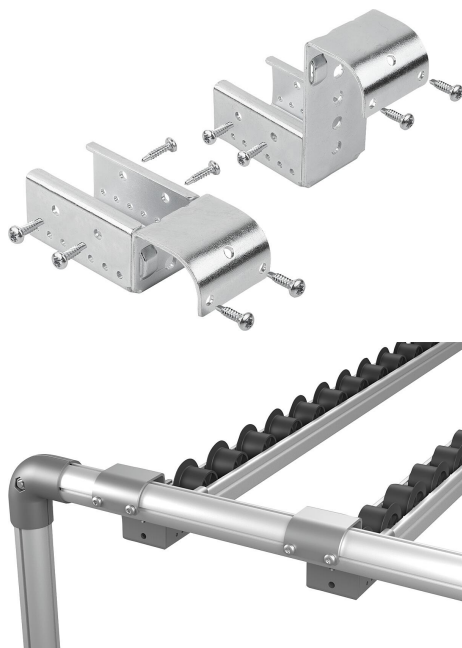


# Suspension bracket Ø30, steel for roller tracks, steel

## Item description/product images



## Description

### Material:

Steel.

### Version:

Electro zinc-plated.

### Note:

The suspension brackets are used to suspend steel roller tracks in a Ø30 round tube or profile tube.

Slide the roller track into the suspension bracket and attach it to the Ø30 round tube or profile tube. If required, the suspension bracket can also be screwed into place.

Form A: without stop.

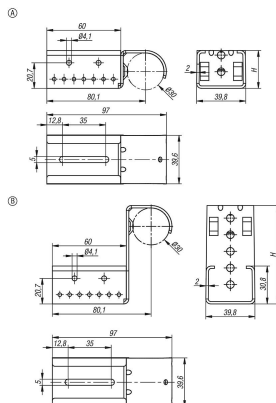
Form B: with stop. This suspension bracket acts as a stopper for goods and workpiece carriers at the end of a conveyor line.

### Supplied with:

1 suspension bracket.

6 self-tapping screws DIN 7504 Form N - 3.9 x 16.

## Drawings



## Overview of items

### Suspension bracket Ø30, steel, for roller tracks, steel

Order No.	Form	Form definition	H
K2137.403030	A	without stop	30,8
K2137.406530	B	with stop	65,5
K2137.408030	B	with stop	80

