

## Cam levers, plastic with internal or external thread, plastic thrust washer and steel or stainless steel stud

Item description/product images



### Description

#### Product description:

These cam levers have a technically optimised plastic thrust washer. The thrust washer is made of a special high-performance plastic that guarantees very good wear and creep resistance.

#### Material:

Handle PA 6.6 fibreglass reinforced plastic  
 Thrust washer high performance carbon-fibre reinforced thermoplastic.  
 Hinge pin stainless steel 1.4305.  
 Stud steel, grade 5.8 or stainless steel 1.4305.

#### Version:

Grip black or traffic red RAL3020.  
 Thrust washer black.  
 Hinge pin bright.  
 Stud blue-passivated or bright stainless steel.

#### Note:

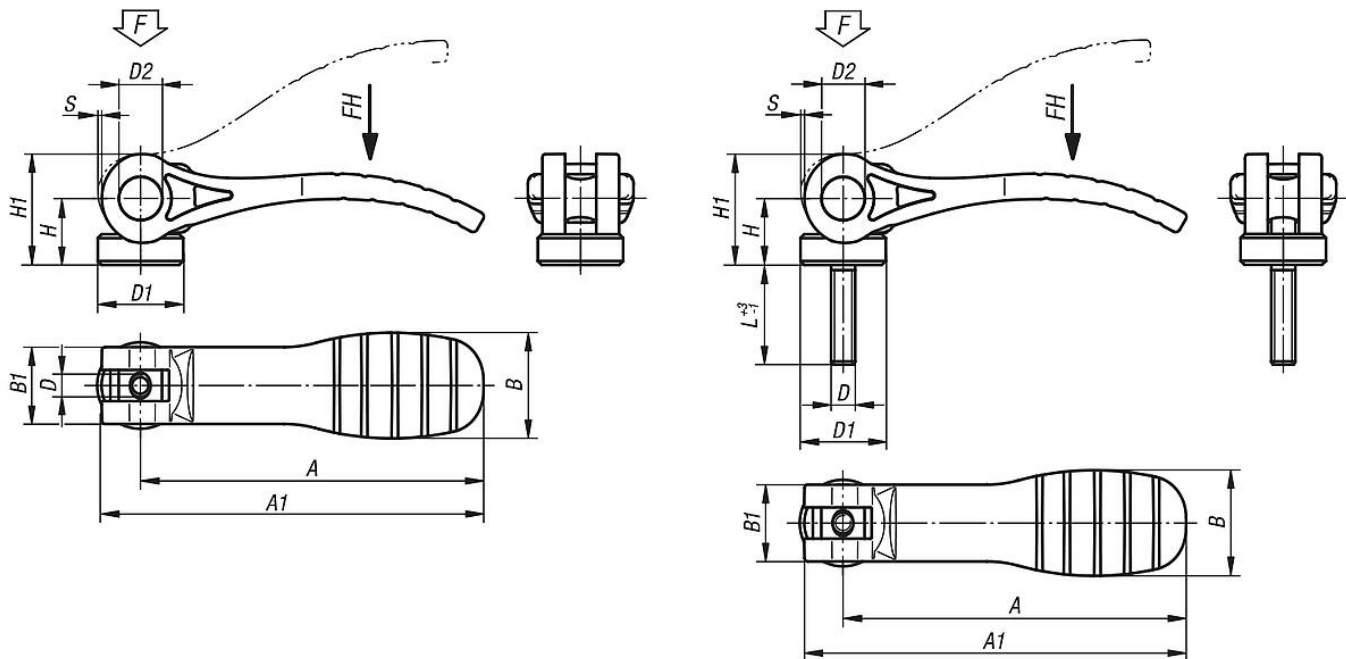
Plastics are subject to creeping under load (retardation).

#### Accessory:

For slightly curved contact faces, a stainless steel washer K2130 can also be ordered.

This washer can be mounted between the thrust washer and the contact face.

### Drawings



### Overview of items

#### Cam levers with plastic handle and internal thread

# Cam levers, plastic with internal or external thread, plastic thrust washer and steel or stainless steel stud

## Overview of items

Order No.	KIPP old article number	Component material	Main colour	D	D1	D2	B	B1	H	H1	A	A1	Travel S	Clamping force F (kN)	Hand force FH N
K2122.1521105	K0646.1521105	steel	black	M5	16	9	22	16	14	23,2	71,5	79,6	1,15	2,5	125
K2122.1521106	K0646.1521106	steel	black	M6	16	9	22	16	14	23,2	71,5	79,6	1,15	2,5	125
K2122.2521108	K0646.2521108	steel	black	M8	25	11	33	24,2	16,3	27,9	100	110	1,5	5	170
K2122.1531105	K0646.1531105	stainless steel	black	M5	16	9	22	16	14	23,2	71,5	79,6	1,15	2,5	125
K2122.1531106	K0646.1531106	stainless steel	black	M6	16	9	22	16	14	23,2	71,5	79,6	1,15	2,5	125
K2122.2531108	K0646.2531108	stainless steel	black	M8	25	11	33	24,2	16,3	27,9	100	110	1,5	5	170
K2122.15218405	K0646.15218405	steel	traffic red RAL 3020	M5	16	9	22	16	14	23,2	71,5	79,6	1,15	2,5	125
K2122.15218406	K0646.15218406	steel	traffic red RAL 3020	M6	16	9	22	16	14	23,2	71,5	79,6	1,15	2,5	125
K2122.25218408	K0646.25218408	steel	traffic red RAL 3020	M8	25	11	33	24,2	16,3	27,9	100	110	1,5	5	170
K2122.15318405	K0646.15318405	stainless steel	traffic red RAL 3020	M5	16	9	22	16	14	23,2	71,5	79,6	1,15	2,5	125
K2122.15318406	K0646.15318406	stainless steel	traffic red RAL 3020	M6	16	9	22	16	14	23,2	71,5	79,6	1,15	2,5	125
K2122.25318408	K0646.25318408	stainless steel	traffic red RAL 3020	M8	25	11	33	24,2	16,3	27,9	100	110	1,5	5	170
K2122.1521105X20	K0646.1521105X20	steel	black	M5	16	9	22	16	14	23,2	71,5	79,6	1,15	2,5	125
K2122.1521105X30	K0646.1521105X30	steel	black	M5	16	9	22	16	14	23,2	71,5	79,6	1,15	2,5	125
K2122.1521105X40	K0646.1521105X40	steel	black	M5	16	9	22	16	14	23,2	71,5	79,6	1,15	2,5	125
K2122.1521105X50	K0646.1521105X50	steel	black	M5	16	9	22	16	14	23,2	71,5	79,6	1,15	2,5	125
K2122.1521106X20	K0646.1521106X20	steel	black	M6	16	9	22	16	14	23,2	71,5	79,6	1,15	2,5	125
K2122.1521106X30	K0646.1521106X30	steel	black	M6	16	9	22	16	14	23,2	71,5	79,6	1,15	2,5	125
K2122.1521106X40	K0646.1521106X40	steel	black	M6	16	9	22	16	14	23,2	71,5	79,6	1,15	2,5	125
K2122.1521106X50	K0646.1521106X50	steel	black	M6	16	9	22	16	14	23,2	71,5	79,6	1,15	2,5	125
K2122.2521108X25	K0646.2521108X25	steel	black	M8	25	11	33	24,2	16,3	27,9	100	110	1,5	5	170
K2122.2521108X30	K0646.2521108X30	steel	black	M8	25	11	33	24,2	16,3	27,9	100	110	1,5	5	170
K2122.2521108X40	K0646.2521108X40	steel	black	M8	25	11	33	24,2	16,3	27,9	100	110	1,5	5	170
K2122.2521108X50	K0646.2521108X50	steel	black	M8	25	11	33	24,2	16,3	27,9	100	110	1,5	5	170
K2122.2521110X25	K0646.2521110X25	steel	black	M10	25	11	33	24,2	16,3	27,9	100	110	1,5	5	170
K2122.2521110X30	K0646.2521110X30	steel	black	M10	25	11	33	24,2	16,3	27,9	100	110	1,5	5	170
K2122.2521110X40	K0646.2521110X40	steel	black	M10	25	11	33	24,2	16,3	27,9	100	110	1,5	5	170
K2122.2521110X50	K0646.2521110X50	steel	black	M10	25	11	33	24,2	16,3	27,9	100	110	1,5	5	170
K2122.1531105X20	K0646.1531105X20	stainless steel	black	M5	16	9	22	16	14	23,2	71,5	79,6	1,15	2,5	125
K2122.1531105X30	K0646.1531105X30	stainless steel	black	M5	16	9	22	16	14	23,2	71,5	79,6	1,15	2,5	125
K2122.1531105X40	K0646.1531105X40	stainless steel	black	M5	16	9	22	16	14	23,2	71,5	79,6	1,15	2,5	125
K2122.1531105X50	K0646.1531105X50	stainless steel	black	M5	16	9	22	16	14	23,2	71,5	79,6	1,15	2,5	125
K2122.1531106X20	K0646.1531106X20	stainless steel	black	M6	16	9	22	16	14	23,2	71,5	79,6	1,15	2,5	125
K2122.1531106X30	K0646.1531106X30	stainless steel	black	M6	16	9	22	16	14	23,2	71,5	79,6	1,15	2,5	125
K2122.1531106X40	K0646.1531106X40	stainless steel	black	M6	16	9	22	16	14	23,2	71,5	79,6	1,15	2,5	125
K2122.1531106X50	K0646.1531106X50	stainless steel	black	M6	16	9	22	16	14	23,2	71,5	79,6	1,15	2,5	125
K2122.2531108X25	K0646.2531108X25	stainless steel	black	M8	25	11	33	24,2	16,3	27,9	100	110	1,5	5	170
K2122.2531108X30	K0646.2531108X30	stainless steel	black	M8	25	11	33	24,2	16,3	27,9	100	110	1,5	5	170
K2122.2531108X40	K0646.2531108X40	stainless steel	black	M8	25	11	33	24,2	16,3	27,9	100	110	1,5	5	170
K2122.2531108X50	K0646.2531108X50	stainless steel	black	M8	25	11	33	24,2	16,3	27,9	100	110	1,5	5	170
K2122.2531110X25	K0646.2531110X25	stainless steel	black	M10	25	11	33	24,2	16,3	27,9	100	110	1,5	5	170
K2122.2531110X30	K0646.2531110X30	stainless steel	black	M10	25	11	33	24,2	16,3	27,9	100	110	1,5	5	170
K2122.2531110X40	K0646.2531110X40	stainless steel	black	M10	25	11	33	24,2	16,3	27,9	100	110	1,5	5	170
K2122.2531110X50	K0646.2531110X50	stainless steel	black	M10	25	11	33	24,2	16,3	27,9	100	110	1,5	5	170
K2122.15218405X20	K0646.15218405X20	steel	traffic red RAL 3020	M5	16	9	22	16	14	23,2	71,5	79,6	1,15	2,5	125
K2122.15218405X30	K0646.15218405X30	steel	traffic red RAL 3020	M5	16	9	22	16	14	23,2	71,5	79,6	1,15	2,5	125
K2122.15218405X40	K0646.15218405X40	steel	traffic red RAL 3020	M5	16	9	22	16	14	23,2	71,5	79,6	1,15	2,5	125
K2122.15218405X50	K0646.15218405X50	steel	traffic red RAL 3020	M5	16	9	22	16	14	23,2	71,5	79,6	1,15	2,5	125
K2122.15218406X20	K0646.15218406X20	steel	traffic red RAL 3020	M6	16	9	22	16	14	23,2	71,5	79,6	1,15	2,5	125
K2122.15218406X30	K0646.15218406X30	steel	traffic red RAL 3020	M6	16	9	22	16	14	23,2	71,5	79,6	1,15	2,5	125
K2122.15218406X40	K0646.15218406X40	steel	traffic red RAL 3020	M6	16	9	22	16	14	23,2	71,5	79,6	1,15	2,5	125
K2122.15218406X50	K0646.15218406X50	steel	traffic red RAL 3020	M6	16	9	22	16	14	23,2	71,5	79,6	1,15	2,5	125
K2122.25218408X25	K0646.25218408X25	steel	traffic red RAL 3020	M8	25	11	33	24,2	16,3	27,9	100	110	1,5	5	170
K2122.25218408X30	K0646.25218408X30	steel	traffic red RAL 3020	M8	25	11	33	24,2	16,3	27,9	100	110	1,5	5	170
K2122.25218408X40	K0646.25218408X40	steel	traffic red RAL 3020	M8	25	11	33	24,2	16,3	27,9	100	110	1,5	5	170
K2122.25218408X50	K0646.25218408X50	steel	traffic red RAL 3020	M8	25	11	33	24,2	16,3	27,9	100	110	1,5	5	170
K2122.25218410X25	K0646.25218410X25	steel	traffic red RAL 3020	M10	25	11	33	24,2	16,3	27,9	100	110	1,5	5	170
K2122.25218410X30	K0646.25218410X30	steel	traffic red RAL 3020	M10	25	11	33	24,2	16,3	27,9	100	110	1,5	5	170
K2122.25218410X40	K0646.25218410X40	steel	traffic red RAL 3020	M10	25	11	33	24,2	16,3	27,9	100	110	1,5	5	170
K2122.25218410X50	K0646.25218410X50	steel	traffic red RAL 3020	M10	25	11	33	24,2	16,3	27,9	100	110	1,5	5	170
K2122.15318405X20	K0646.15318405X20	stainless steel	traffic red RAL 3020	M5	16	9	22	16	14	23,2	71,5	79,6	1,15	2,5	125

## Cam levers, plastic with internal or external thread, plastic thrust washer and steel or stainless steel stud

### Overview of items

Order No.	KIPP old article number	Component material	Main colour	D	D1	D2	B	B1	H	H1	A	A1	Travel S	Clamping force F (kN)	Hand force FH N
<b>K2122.15318405X30</b>	K0646.15318405X30	stainless steel	traffic red RAL 3020	M5	16	9	22	16	14	23,2	71,5	79,6	1,15	2,5	125
<b>K2122.15318405X40</b>	K0646.15318405X40	stainless steel	traffic red RAL 3020	M5	16	9	22	16	14	23,2	71,5	79,6	1,15	2,5	125
<b>K2122.15318405X50</b>	K0646.15318405X50	stainless steel	traffic red RAL 3020	M5	16	9	22	16	14	23,2	71,5	79,6	1,15	2,5	125
<b>K2122.15318406X20</b>	K0646.15318406X20	stainless steel	traffic red RAL 3020	M6	16	9	22	16	14	23,2	71,5	79,6	1,15	2,5	125
<b>K2122.15318406X30</b>	K0646.15318406X30	stainless steel	traffic red RAL 3020	M6	16	9	22	16	14	23,2	71,5	79,6	1,15	2,5	125
<b>K2122.15318406X40</b>	K0646.15318406X40	stainless steel	traffic red RAL 3020	M6	16	9	22	16	14	23,2	71,5	79,6	1,15	2,5	125
<b>K2122.15318406X50</b>	K0646.15318406X50	stainless steel	traffic red RAL 3020	M6	16	9	22	16	14	23,2	71,5	79,6	1,15	2,5	125
<b>K2122.25318408X25</b>	K0646.25318408X25	stainless steel	traffic red RAL 3020	M8	25	11	33	24,2	16,3	27,9	100	110	1,5	5	170
<b>K2122.25318408X30</b>	K0646.25318408X30	stainless steel	traffic red RAL 3020	M8	25	11	33	24,2	16,3	27,9	100	110	1,5	5	170
<b>K2122.25318408X40</b>	K0646.25318408X40	stainless steel	traffic red RAL 3020	M8	25	11	33	24,2	16,3	27,9	100	110	1,5	5	170
<b>K2122.25318408X50</b>	K0646.25318408X50	stainless steel	traffic red RAL 3020	M8	25	11	33	24,2	16,3	27,9	100	110	1,5	5	170
<b>K2122.25318410X25</b>	K0646.25318410X25	stainless steel	traffic red RAL 3020	M10	25	11	33	24,2	16,3	27,9	100	110	1,5	5	170
<b>K2122.25318410X30</b>	K0646.25318410X30	stainless steel	traffic red RAL 3020	M10	25	11	33	24,2	16,3	27,9	100	110	1,5	5	170
<b>K2122.25318410X40</b>	K0646.25318410X40	stainless steel	traffic red RAL 3020	M10	25	11	33	24,2	16,3	27,9	100	110	1,5	5	170
<b>K2122.25318410X50</b>	K0646.25318410X50	stainless steel	traffic red RAL 3020	M10	25	11	33	24,2	16,3	27,9	100	110	1,5	5	170