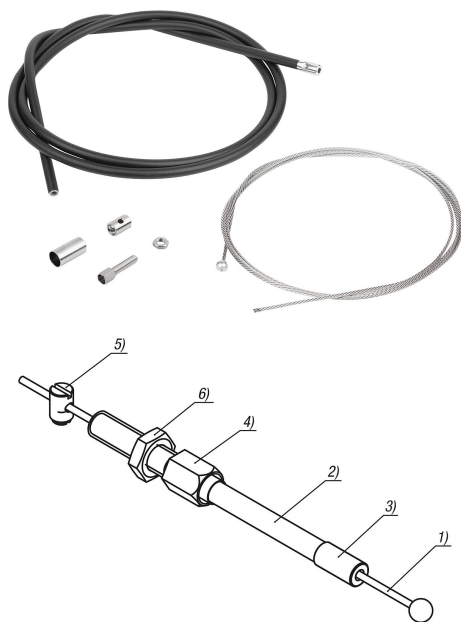


Bowden cables for indexing plungers with remote actuation

Item description/product images



Description

Material:

Wire cable stainless steel 1.4401.
 Sheath steel.
 End sleeve, adjusting screw and screw nipple brass.
 Hexagon nut stainless steel A2.

Version:

Wire cable and hexagon nut bright.
 Sheath plastic-coated black.
 End sleeve blue passivated.
 Adjusting screw and screw nipple nickel-plated.

Note:

The Bowden cables are used to transmit the pulling force and are used in combination with the actuating element for remote actuation. Different length variants of the Bowden cable are available. The Bowden cable can be shortened during installation to ensure a perfect fit in the respective application.

Note the following points when installing Bowden cables:

The length of the free end of the cable can change due to layout angle, bend radius and load factors. So, after laying the Bowden cable, the length of the counter-bearing (casing) must be adjusted using the adjusting screw supplied. The adjusting screw is also used to set the pretension in the Bowden cable system.

When laying the cable, take particular care to ensure that the bend radius is not below the minimum value, which in this case is $R = 65$ mm. A radius which is too narrow can lead to increased wear and higher friction.

Briefly falling below the minimum bend radius during installation should also be avoided as otherwise the sheath will be damaged. The sheath is also only designed to absorb compressive forces: if it is pulled too hard, the internal spiral will be stretched and permanently damaged.

The Bowden cable is a spare part for the indexing plunger with remote control K1502.

Supplied with:

Wire cable with end piece K2023.
 Sheath with inner tube K2024.
 End sleeve K2025.
 Adjusting screw K2026.
 Screw nipple clamp with grub screw K2027.
 Hexagon nut K0700.106.

Accessory:

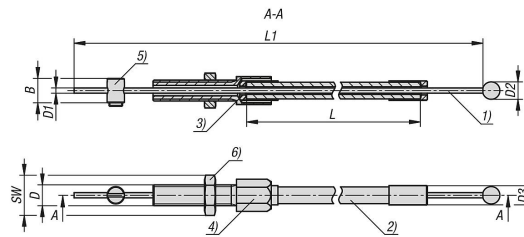
Indexing plunger and actuating element K1502.

Drawing reference:

- 1) Wire cable
- 2) Sheath
- 3) End sleeve
- 4) Adjusting screw
- 5) Screw nipple
- 6) Hexagon nut

Bowden cables for indexing plungers with remote actuation

Drawings



Overview of items

Bowden cables for indexing plungers with remote actuation

Order No.	B	D	D1	D2	D3	L	L1	SW
K2116.1000	7	M6	1,5	5	5	1000	1200	10
K2116.3000	7	M6	1,5	5	5	3000	3200	10
K2116.5000	7	M6	1,5	5	5	5000	5200	10