

## Position indicators with stainless steel hollow shaft

### Item description/product images



### Description

#### Material:

Housing polyamide 6.  
Hollow shaft stainless steel.  
Sight glass plastic.  
Grub screw stainless steel.

#### Version:

Housing impact-resistant.  
Hollow shaft and grub screw bright.  
Dial black, digits white.

#### Note:

Position indicators enable the direct reading of set values at a glance. The value indicated per spindle rotation (corresponding spindle pitch) can be selected and the various indicator values are realised by a transmission gear. The position indicators are distinguished by their small size with very clear display and fine scale. They are particularly suitable for narrow spindle spacing and small shaft diameters. They have a torque support that is inserted into a hole on the opposite side.

#### Technical data:

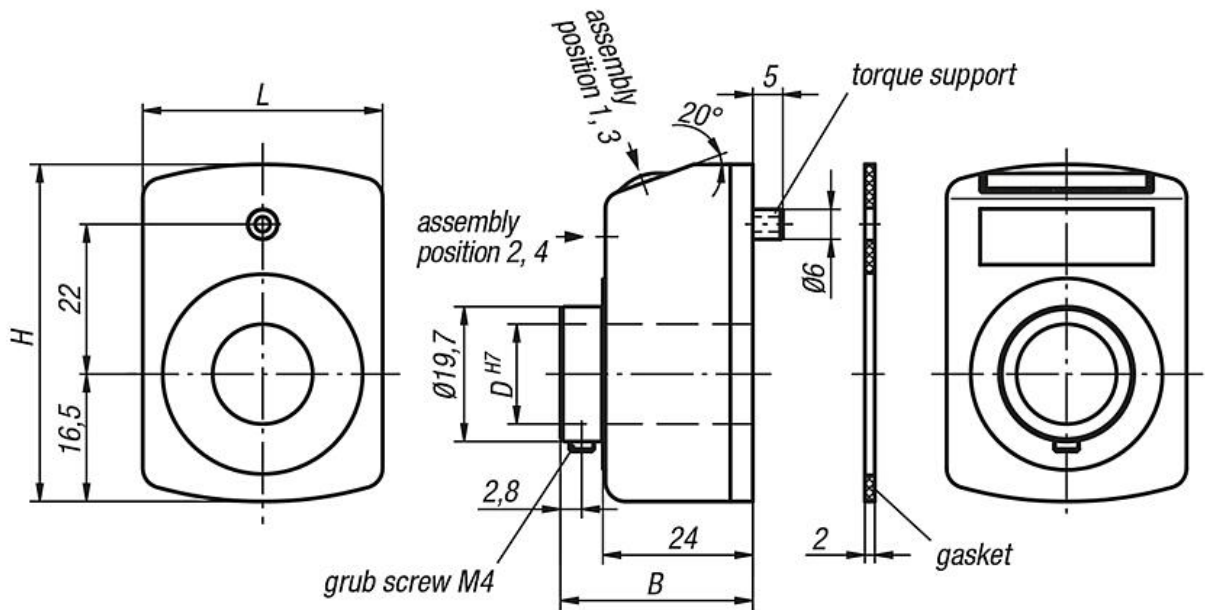
- Counter consisting of 4 10-position dials + fine scale
- Height of figures about 6 mm
- Hollow shaft  $\varnothing$  14 H7 mm
- Temperature resistant to 80 °C
- Oil and solvent resistant

#### On request:

- Counter cover made of mineral glass
- Axial sealing (dust-proof)
- Vibration protection

Position indicators with stainless steel hollow shaft

Drawings



Display after one rotation, with decimal point:	Mounting position (1 - 4):
e. g. K2107.01002111 0100 = 1 mm increments 2 = decimal places	e. g. K2107.01002111 = mounting position 1

Count direction (1 - 2):	Colour (1 - 2):
	1 2
e. g. K2107.01002111 1 = clockwise (ascending values) 2 = anticlockwise (ascending values)	e. g. K2107.01002111 1 = orange 2 = black

## Position indicators with stainless steel hollow shaft

### Overview of items

#### Position indicators with stainless steel hollow shaft

Order No.	Main colour	B	D	H	L	Pitch	Decimal point in position	max. rpm	Assembly position	Count direction	Indicator after one rotation
K2107.01001111	orange RAL 2004	31	14	47	33	1	1	500	1	1	001,0
K2107.01002111	orange RAL 2004	31	14	47	33	1	2	500	1	1	00,10
K2107.01001121	orange RAL 2004	31	14	47	33	1	1	500	1	2	001,0
K2107.01002121	orange RAL 2004	31	14	47	33	1	2	500	1	2	00,10
K2107.01001211	orange RAL 2004	31	14	47	33	1	1	500	2	1	001,0
K2107.01002211	orange RAL 2004	31	14	47	33	1	2	500	2	1	00,10
K2107.01001221	orange RAL 2004	31	14	47	33	1	1	500	2	2	001,0
K2107.01002221	orange RAL 2004	31	14	47	33	1	2	500	2	2	00,10
K2107.01001311	orange RAL 2004	31	14	47	33	1	1	500	3	1	001,0
K2107.01002311	orange RAL 2004	31	14	47	33	1	2	500	3	1	00,10
K2107.01001321	orange RAL 2004	31	14	47	33	1	1	500	3	2	001,0
K2107.01002321	orange RAL 2004	31	14	47	33	1	2	500	3	2	00,10
K2107.01001411	orange RAL 2004	31	14	47	33	1	1	500	4	1	001,0
K2107.01002411	orange RAL 2004	31	14	47	33	1	2	500	4	1	00,10
K2107.01001421	orange RAL 2004	31	14	47	33	1	1	500	4	2	001,0
K2107.01002421	orange RAL 2004	31	14	47	33	1	2	500	4	2	00,10
K2107.01251111	orange RAL 2004	31	14	47	33	1,25	1	500	1	1	001,2/5
K2107.01251121	orange RAL 2004	31	14	47	33	1,25	1	500	1	2	001,2/5
K2107.01251211	orange RAL 2004	31	14	47	33	1,25	1	500	2	1	001,2/5
K2107.01251221	orange RAL 2004	31	14	47	33	1,25	1	500	2	2	001,2/5
K2107.01251311	orange RAL 2004	31	14	47	33	1,25	1	500	3	1	001,2/5
K2107.01251321	orange RAL 2004	31	14	47	33	1,25	1	500	3	2	001,2/5
K2107.01251411	orange RAL 2004	31	14	47	33	1,25	1	500	4	1	001,2/5
K2107.01251421	orange RAL 2004	31	14	47	33	1,25	1	500	4	2	001,2/5
K2107.01501111	orange RAL 2004	31	14	47	33	1,5	1	500	1	1	001,5
K2107.01501121	orange RAL 2004	31	14	47	33	1,5	1	500	1	2	001,5
K2107.01501211	orange RAL 2004	31	14	47	33	1,5	1	500	2	1	001,5
K2107.01501221	orange RAL 2004	31	14	47	33	1,5	1	500	2	2	001,5
K2107.01501311	orange RAL 2004	31	14	47	33	1,5	1	500	3	1	001,5
K2107.01501321	orange RAL 2004	31	14	47	33	1,5	1	500	3	2	001,5
K2107.01501411	orange RAL 2004	31	14	47	33	1,5	1	500	4	1	001,5
K2107.01501421	orange RAL 2004	31	14	47	33	1,5	1	500	4	2	001,5
K2107.02001111	orange RAL 2004	31	14	47	33	2	1	500	1	1	002,0
K2107.02001121	orange RAL 2004	31	14	47	33	2	1	500	1	2	002,0
K2107.02001211	orange RAL 2004	31	14	47	33	2	1	500	2	1	002,0
K2107.02001221	orange RAL 2004	31	14	47	33	2	1	500	2	2	002,0
K2107.02001311	orange RAL 2004	31	14	47	33	2	1	500	3	1	002,0
K2107.02001321	orange RAL 2004	31	14	47	33	2	1	500	3	2	002,0
K2107.02001411	orange RAL 2004	31	14	47	33	2	1	500	4	1	002,0
K2107.02001421	orange RAL 2004	31	14	47	33	2	1	500	4	2	002,0
K2107.02501111	orange RAL 2004	31	14	47	33	2,5	1	500	1	1	002,5
K2107.02501121	orange RAL 2004	31	14	47	33	2,5	1	500	1	2	002,5
K2107.02501211	orange RAL 2004	31	14	47	33	2,5	1	500	2	1	002,5
K2107.02501221	orange RAL 2004	31	14	47	33	2,5	1	500	2	2	002,5
K2107.02501311	orange RAL 2004	31	14	47	33	2,5	1	500	3	1	002,5
K2107.02501321	orange RAL 2004	31	14	47	33	2,5	1	500	3	2	002,5
K2107.02501411	orange RAL 2004	31	14	47	33	2,5	1	500	4	1	002,5
K2107.02501421	orange RAL 2004	31	14	47	33	2,5	1	500	4	2	002,5
K2107.03001111	orange RAL 2004	31	14	47	33	3	1	500	1	1	003,0
K2107.03001121	orange RAL 2004	31	14	47	33	3	1	500	1	2	003,0
K2107.03001211	orange RAL 2004	31	14	47	33	3	1	500	2	1	003,0
K2107.03001221	orange RAL 2004	31	14	47	33	3	1	500	2	2	003,0
K2107.03001311	orange RAL 2004	31	14	47	33	3	1	500	3	1	003,0
K2107.03001321	orange RAL 2004	31	14	47	33	3	1	500	3	2	003,0
K2107.03001411	orange RAL 2004	31	14	47	33	3	1	500	4	1	003,0
K2107.03001421	orange RAL 2004	31	14	47	33	3	1	500	4	2	003,0
K2107.04001111	orange RAL 2004	31	14	47	33	4	1	375	1	1	004,0
K2107.04001121	orange RAL 2004	31	14	47	33	4	1	375	1	2	004,0
K2107.04001211	orange RAL 2004	31	14	47	33	4	1	375	2	1	004,0

## Position indicators with stainless steel hollow shaft

### Overview of items

Order No.	Main colour	B	D	H	L	Pitch	Decimal point in position	max. rpm	Assembly position	Count direction	Indicator after one rotation
K2107.04001221	orange RAL 2004	31	14	47	33	4	1	375	2	2	004,0
K2107.04001311	orange RAL 2004	31	14	47	33	4	1	375	3	1	004,0
K2107.04001321	orange RAL 2004	31	14	47	33	4	1	375	3	2	004,0
K2107.04001411	orange RAL 2004	31	14	47	33	4	1	375	4	1	004,0
K2107.04001421	orange RAL 2004	31	14	47	33	4	1	375	4	2	004,0
K2107.05001111	orange RAL 2004	31	14	47	33	5	1	300	1	1	005,0
K2107.05001121	orange RAL 2004	31	14	47	33	5	1	300	1	2	005,0
K2107.05001211	orange RAL 2004	31	14	47	33	5	1	300	2	1	005,0
K2107.05001221	orange RAL 2004	31	14	47	33	5	1	300	2	2	005,0
K2107.05001311	orange RAL 2004	31	14	47	33	5	1	300	3	1	005,0
K2107.05001321	orange RAL 2004	31	14	47	33	5	1	300	3	2	005,0
K2107.05001411	orange RAL 2004	31	14	47	33	5	1	300	4	1	005,0
K2107.05001421	orange RAL 2004	31	14	47	33	5	1	300	4	2	005,0
K2107.06001111	orange RAL 2004	31	14	47	33	6	1	250	1	1	006,0
K2107.06001121	orange RAL 2004	31	14	47	33	6	1	250	1	2	006,0
K2107.06001211	orange RAL 2004	31	14	47	33	6	1	250	2	1	006,0
K2107.06001221	orange RAL 2004	31	14	47	33	6	1	250	2	2	006,0
K2107.06001311	orange RAL 2004	31	14	47	33	6	1	250	3	1	006,0
K2107.06001321	orange RAL 2004	31	14	47	33	6	1	250	3	2	006,0
K2107.06001411	orange RAL 2004	31	14	47	33	6	1	250	4	1	006,0
K2107.06001421	orange RAL 2004	31	14	47	33	6	1	250	4	2	006,0
K2107.08001111	orange RAL 2004	31	14	47	33	8	1	180	1	1	008,0
K2107.08001121	orange RAL 2004	31	14	47	33	8	1	180	1	2	008,0
K2107.08001211	orange RAL 2004	31	14	47	33	8	1	180	2	1	008,0
K2107.08001221	orange RAL 2004	31	14	47	33	8	1	180	2	2	008,0
K2107.08001311	orange RAL 2004	31	14	47	33	8	1	180	3	1	008,0
K2107.08001321	orange RAL 2004	31	14	47	33	8	1	180	3	2	008,0
K2107.08001411	orange RAL 2004	31	14	47	33	8	1	180	4	1	008,0
K2107.08001421	orange RAL 2004	31	14	47	33	8	1	180	4	2	008,0
K2107.10001111	orange RAL 2004	31	14	47	33	10	1	150	1	1	010,0
K2107.10001121	orange RAL 2004	31	14	47	33	10	1	150	1	2	010,0
K2107.10001211	orange RAL 2004	31	14	47	33	10	1	150	2	1	010,0
K2107.10001221	orange RAL 2004	31	14	47	33	10	1	150	2	2	010,0
K2107.10001311	orange RAL 2004	31	14	47	33	10	1	150	3	1	010,0
K2107.10001321	orange RAL 2004	31	14	47	33	10	1	150	3	2	010,0
K2107.10001411	orange RAL 2004	31	14	47	33	10	1	150	4	1	010,0
K2107.10001421	orange RAL 2004	31	14	47	33	10	1	150	4	2	010,0
K2107.01001112	black	31	14	47	33	1	1	500	1	1	001,0
K2107.01002112	black	31	14	47	33	1	2	500	1	1	00,10
K2107.01001122	black	31	14	47	33	1	1	500	1	2	001,0
K2107.01002122	black	31	14	47	33	1	2	500	1	2	00,10
K2107.01001212	black	31	14	47	33	1	1	500	2	1	001,0
K2107.01002212	black	31	14	47	33	1	2	500	2	1	00,10
K2107.01001222	black	31	14	47	33	1	1	500	2	2	001,0
K2107.01002222	black	31	14	47	33	1	2	500	2	2	00,10
K2107.01001312	black	31	14	47	33	1	1	500	3	1	001,0
K2107.01002312	black	31	14	47	33	1	2	500	3	1	00,10
K2107.01001322	black	31	14	47	33	1	1	500	3	2	001,0
K2107.01002322	black	31	14	47	33	1	2	500	3	2	00,10
K2107.01001412	black	31	14	47	33	1	1	500	4	1	001,0
K2107.01002412	black	31	14	47	33	1	2	500	4	1	00,10
K2107.01001422	black	31	14	47	33	1	1	500	4	2	001,0
K2107.01002422	black	31	14	47	33	1	2	500	4	2	00,10
K2107.01251112	black	31	14	47	33	1,25	1	500	1	1	001,2/5
K2107.01251122	black	31	14	47	33	1,25	1	500	1	2	001,2/5
K2107.01251212	black	31	14	47	33	1,25	1	500	2	1	001,2/5
K2107.01251222	black	31	14	47	33	1,25	1	500	2	2	001,2/5
K2107.01251312	black	31	14	47	33	1,25	1	500	3	1	001,2/5
K2107.01251322	black	31	14	47	33	1,25	1	500	3	2	001,2/5
K2107.01251412	black	31	14	47	33	1,25	1	500	4	1	001,2/5
K2107.01251422	black	31	14	47	33	1,25	1	500	4	2	001,2/5

## Position indicators with stainless steel hollow shaft

### Overview of items

Order No.	Main colour	B	D	H	L	Pitch	Decimal point in position	max. rpm	Assembly position	Count direction	Indicator after one rotation
K2107.01501112	black	31	14	47	33	1,5	1	500	1	1	001,5
K2107.01501122	black	31	14	47	33	1,5	1	500	1	2	001,5
K2107.01501212	black	31	14	47	33	1,5	1	500	2	1	001,5
K2107.01501222	black	31	14	47	33	1,5	1	500	2	2	001,5
K2107.01501312	black	31	14	47	33	1,5	1	500	3	1	001,5
K2107.01501322	black	31	14	47	33	1,5	1	500	3	2	001,5
K2107.01501412	black	31	14	47	33	1,5	1	500	4	1	001,5
K2107.01501422	black	31	14	47	33	1,5	1	500	4	2	001,5
K2107.02001112	black	31	14	47	33	2	1	500	1	1	002,0
K2107.02001122	black	31	14	47	33	2	1	500	1	2	002,0
K2107.02001212	black	31	14	47	33	2	1	500	2	1	002,0
K2107.02001222	black	31	14	47	33	2	1	500	2	2	002,0
K2107.02001312	black	31	14	47	33	2	1	500	3	1	002,0
K2107.02001322	black	31	14	47	33	2	1	500	3	2	002,0
K2107.02001412	black	31	14	47	33	2	1	500	4	1	002,0
K2107.02001422	black	31	14	47	33	2	1	500	4	2	002,0
K2107.02501112	black	31	14	47	33	2,5	1	500	1	1	002,5
K2107.02501122	black	31	14	47	33	2,5	1	500	1	2	002,5
K2107.02501212	black	31	14	47	33	2,5	1	500	2	1	002,5
K2107.02501222	black	31	14	47	33	2,5	1	500	2	2	002,5
K2107.02501312	black	31	14	47	33	2,5	1	500	3	1	002,5
K2107.02501322	black	31	14	47	33	2,5	1	500	3	2	002,5
K2107.02501412	black	31	14	47	33	2,5	1	500	4	1	002,5
K2107.02501422	black	31	14	47	33	2,5	1	500	4	2	002,5
K2107.03001112	black	31	14	47	33	3	1	500	1	1	003,0
K2107.03001122	black	31	14	47	33	3	1	500	1	2	003,0
K2107.03001212	black	31	14	47	33	3	1	500	2	1	003,0
K2107.03001222	black	31	14	47	33	3	1	500	2	2	003,0
K2107.03001312	black	31	14	47	33	3	1	500	3	1	003,0
K2107.03001322	black	31	14	47	33	3	1	500	3	2	003,0
K2107.03001412	black	31	14	47	33	3	1	500	4	1	003,0
K2107.03001422	black	31	14	47	33	3	1	500	4	2	003,0
K2107.04001112	black	31	14	47	33	4	1	375	1	1	004,0
K2107.04001122	black	31	14	47	33	4	1	375	1	2	004,0
K2107.04001212	black	31	14	47	33	4	1	375	2	1	004,0
K2107.04001222	black	31	14	47	33	4	1	375	2	2	004,0
K2107.04001312	black	31	14	47	33	4	1	375	3	1	004,0
K2107.04001322	black	31	14	47	33	4	1	375	3	2	004,0
K2107.04001412	black	31	14	47	33	4	1	375	4	1	004,0
K2107.04001422	black	31	14	47	33	4	1	375	4	2	004,0
K2107.05001112	black	31	14	47	33	5	1	300	1	1	005,0
K2107.05001122	black	31	14	47	33	5	1	300	1	2	005,0
K2107.05001212	black	31	14	47	33	5	1	300	2	1	005,0
K2107.05001222	black	31	14	47	33	5	1	300	2	2	005,0
K2107.05001312	black	31	14	47	33	5	1	300	3	1	005,0
K2107.05001322	black	31	14	47	33	5	1	300	3	2	005,0
K2107.05001412	black	31	14	47	33	5	1	300	4	1	005,0
K2107.05001422	black	31	14	47	33	5	1	300	4	2	005,0
K2107.06001112	black	31	14	47	33	6	1	250	1	1	006,0
K2107.06001122	black	31	14	47	33	6	1	250	1	2	006,0
K2107.06001212	black	31	14	47	33	6	1	250	2	1	006,0
K2107.06001222	black	31	14	47	33	6	1	250	2	2	006,0
K2107.06001312	black	31	14	47	33	6	1	250	3	1	006,0
K2107.06001322	black	31	14	47	33	6	1	250	3	2	006,0
K2107.06001412	black	31	14	47	33	6	1	250	4	1	006,0
K2107.06001422	black	31	14	47	33	6	1	250	4	2	006,0
K2107.08001112	black	31	14	47	33	8	1	180	1	1	008,0
K2107.08001122	black	31	14	47	33	8	1	180	1	2	008,0
K2107.08001212	black	31	14	47	33	8	1	180	2	1	008,0
K2107.08001222	black	31	14	47	33	8	1	180	2	2	008,0
K2107.08001312	black	31	14	47	33	8	1	180	3	1	008,0

## Position indicators with stainless steel hollow shaft

### Overview of items

Order No.	Main colour	B	D	H	L	Pitch	Decimal point in position	max. rpm	Assembly position	Count direction	Indicator after one rotation
K2107.08001322	black	31	14	47	33	8	1	180	3	2	008,0
K2107.08001412	black	31	14	47	33	8	1	180	4	1	008,0
K2107.08001422	black	31	14	47	33	8	1	180	4	2	008,0
K2107.10001112	black	31	14	47	33	10	1	150	1	1	010,0
K2107.10001122	black	31	14	47	33	10	1	150	1	2	010,0
K2107.10001212	black	31	14	47	33	10	1	150	2	1	010,0
K2107.10001222	black	31	14	47	33	10	1	150	2	2	010,0
K2107.10001312	black	31	14	47	33	10	1	150	3	1	010,0
K2107.10001322	black	31	14	47	33	10	1	150	3	2	010,0
K2107.10001412	black	31	14	47	33	10	1	150	4	1	010,0
K2107.10001422	black	31	14	47	33	10	1	150	4	2	010,0