

Ring bolts, stainless steel, revolving high-strength

Item description/product images



Description

Material:

Ring stainless steel 1.4462.
Screw stainless steel 1.4462.

Version:

Ring is forged and high-strength tempered.
100% electromagnetic crack testing per EN 1677-1, 4x safety factor.

Note:

In contrast to DIN 580 ring bolts, the ring is pivot mounted, therefore the direction of force is adjustable and unintended under or over tightening is precluded.

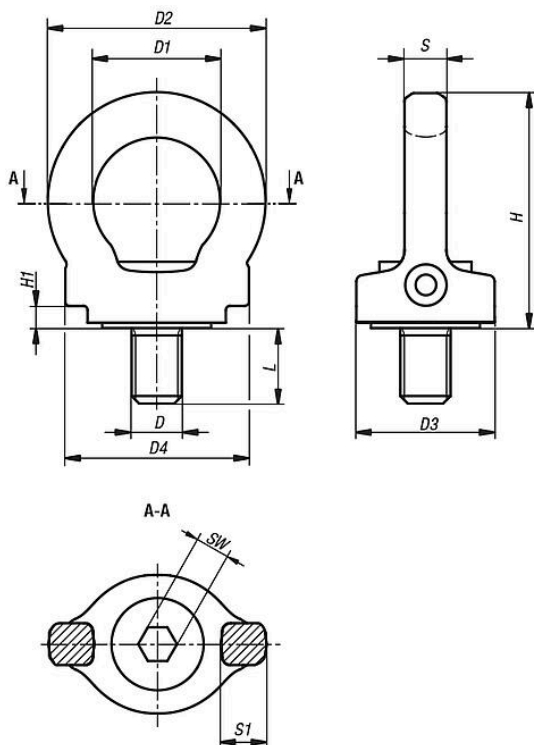
- 4x safety factor
- Ring body 360° rotatable with tightened screw

The nominal load capacity is visibly indicated on the ring bolt. This applies to the most unfavourable load rating (see table). The test load is 2.5 times the maximum permissible load. The specified WLL should not be exceeded.

With captive but removable hex socket screw bolt. The ring bolts are DGUV-approved.

The ring bolts contain a digital RFID chip with an embedded certificate for serial traceability.

Drawings



Maximum lifting weight "G" in kg for different sling types

Sling configuration								
No. of slings	1	2	1	2	2	2	3 - 4	3 - 4
Sling angle α	0°	0°	90°	90°	0°-45°	45°-60°	0°-45°	45°-60°
M12	1200	2400	500	1000	700	500	1000	750
M16	2400	4800	1000	2000	1400	1000	2100	1500
M20	3600	7200	2000	4000	2800	2000	4200	3000
M24	5200	10400	2500	5000	3500	2500	5250	3750

Overview of items

Ring bolts, stainless steel, revolving high-strength

Overview of items

Ring bolts, stainless steel, revolving, high-strength

Order No.	D	D1	D2	D3	D4	H	H1	L	S	S1	SW	Permissible load kg
K2100.1218	M12	30	52	33	44	56	5	18	10	11	8	500
K2100.1624	M16	35	61	35	51	65	5	24	14	13	10	1000
K2100.2030	M20	40	70	44	60	75	7	30	16	15	12	2000
K2100.2436	M24	49	84	52	72	90	10	36	19	18	14	2500