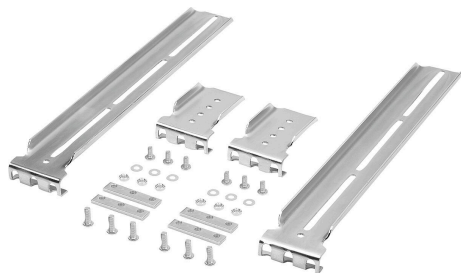


Mounting bracket, steel, for telescopic slides

Item description/product images



Description

Material:
Mounting bracket steel.

Version:
Mounting bracket electro zinc-plated.

Note for ordering:
Sold in pairs.

Note:
As an option for floor or side mounting.

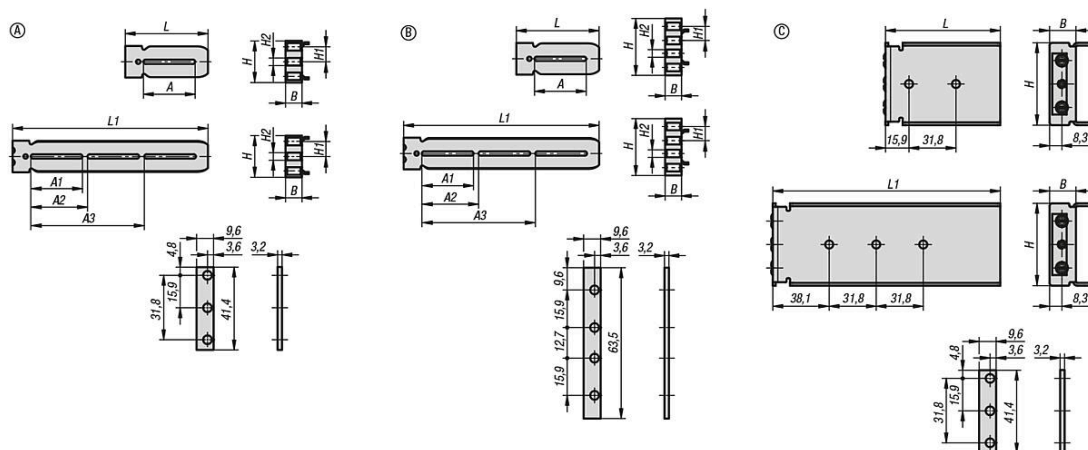
Accessory:
K1710 Steel telescopic slides for side mounting, partial extension, load capacity up to 50 kg.

K1711 Steel telescopic slides for side mounting, partial extension, load capacity up to 65 kg.

K1713 Steel telescopic slides for side mounting, over extension, load capacity up to 70 kg.

K1718 Steel telescopic slides for side mounting, over extension, load capacity up to 160 kg.

Drawings



Overview of items

Mounting bracket, steel, for telescopic slides

Order No.	Form	Form definition	A	A1	A2	A3	B	H	H1	H2	L	L1
K2095.069043	A	-	-	76,2	82,6	165,1	15	43,7	15,9	6,5	69,9	266,7
K2095.114044	A	-	66	-	-	-	18,3	44,5	15,2	7,4	114,6	114,6
K2095.069057	B	-	-	76,2	82,6	165,1	15	57,2	12,7	6,35	69,9	266,7
K2095.140060	B	-	96	-	-	-	14	60	15,9	5,5	140	140
K2095.077055	C	-	-	-	-	-	17,8	55,7	-	-	77,6	153,8

