

Steel telescopic slides for side mounting, full extension, load capacity up to 30 kg

Item description/product images



Description

Material:

Slides steel.
Ball cages steel.
Balls, steel.

Version:

Slides electro zinc-plated.
Ball cages, electro zinc-plated.
Balls hardened.

Note for ordering:

Sold in pairs.

Note:

By telescopic slides with full extension, the travel is roughly equal to the installed length, which ensures greater comfort and accessibility.
The load capacity specified is calculated with a slide spacing of 450 mm and is based on the maximum value with 80,000 cycles.

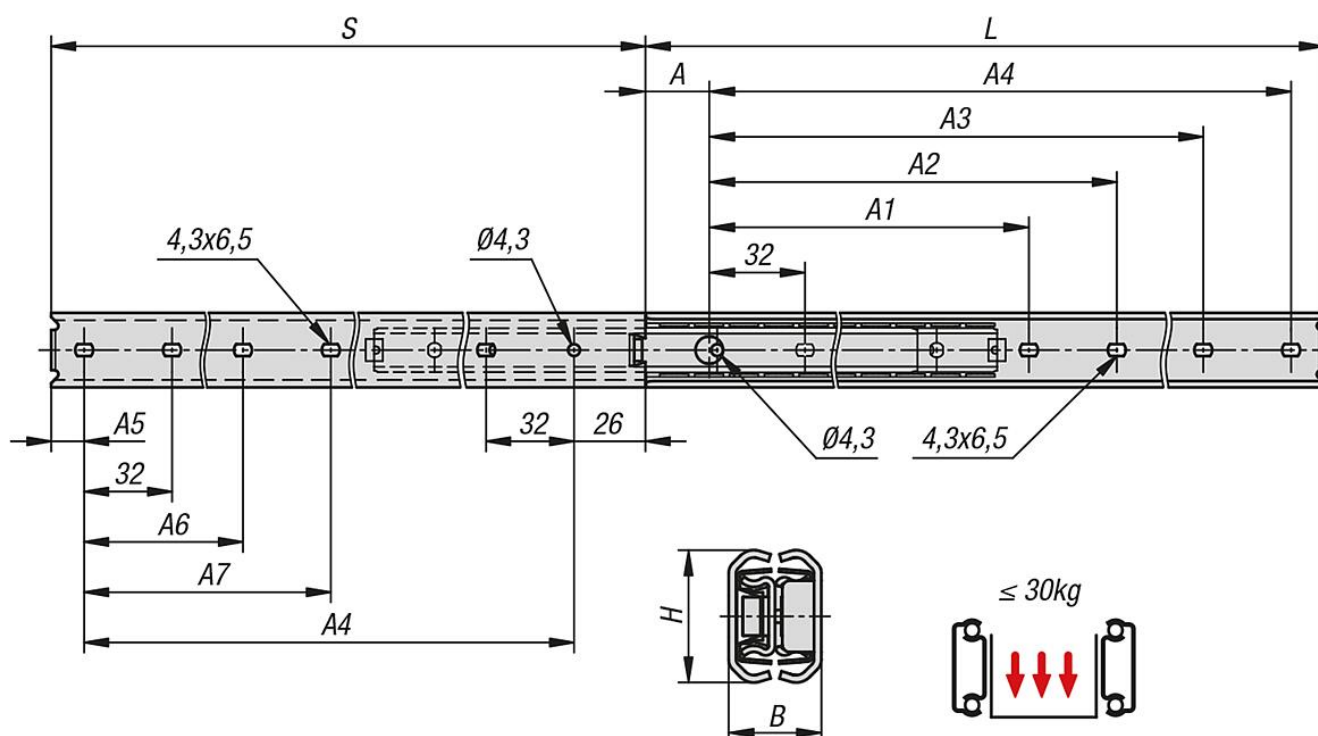
Not suitable for horizontal mounting.

The head height of the fastening screws should not exceed 2.5 mm otherwise there is a risk of collision with other parts of the slide.

Temperature range:

-20 °C - +70 °C.

Drawings



Steel telescopic slides for side mounting, full extension, load capacity up to 30 kg

Overview of items

Steel telescopic slides for side mounting, full extension, load capacity up to 30 kg

Order No.	A	A1	A2	A3	A4	A5	A6	A7	B	H	Travel S	L	Load capacity per pair (80,000 cycles) kg	Assembly	Product type	Packaging type
K2090.0200	26	-	-	128	160	14	-	-	19	27,1	205,5	200	22	side mounting	standard	1 piece = 1 pair
K2090.0250	26	-	-	160	192	32	-	-	19	27,1	255	250	25	side mounting	standard	1 piece = 1 pair
K2090.0300	26	-	-	224	256	18	-	-	19	27,1	304	300	28	side mounting	standard	1 piece = 1 pair
K2090.0350	26	-	-	256	288	36	-	-	19	27,1	353	350	30	side mounting	standard	1 piece = 1 pair
K2090.0400	26	192	224	320	352	22	128	160	19	27,1	402	400	30	side mounting	standard	1 piece = 1 pair
K2090.0450	26	224	256	384	416	8	160	192	19	27,1	452	450	28	side mounting	standard	1 piece = 1 pair
K2090.0500	26	256	288	416	448	26	160	192	19	27,1	501	500	25	side mounting	standard	1 piece = 1 pair
K2090.0550	26	256	288	480	512	12	224	256	19	27,1	550	550	22	side mounting	standard	1 piece = 1 pair
K2090.0600	26	288	320	512	544	30	224	256	19	27,1	599	600	20	side mounting	standard	1 piece = 1 pair