

## Steel telescopic slides for side mounting, full extension, load capacity up to 20 kg

Item description/product images



### Description

#### Material:

Slides steel.  
Ball cages steel.  
Balls, steel.

#### Version:

Slides electro zinc-plated.  
Ball cages, electro zinc-plated.  
Balls hardened.

#### Note for ordering:

Sold in pairs.

#### Note:

On telescopic slides with partial extension, the travel is less than the installed length. The dynamic load capacity of the telescopic slides indicates the maximum load rating of a vertically mounted slide pair when the entire extension length is used. The load capacity specified is calculated with a slide spacing of 450 mm and is based on the maximum value with 80,000 cycles.

The load capacity is ca. 75% lower by horizontal mounting.

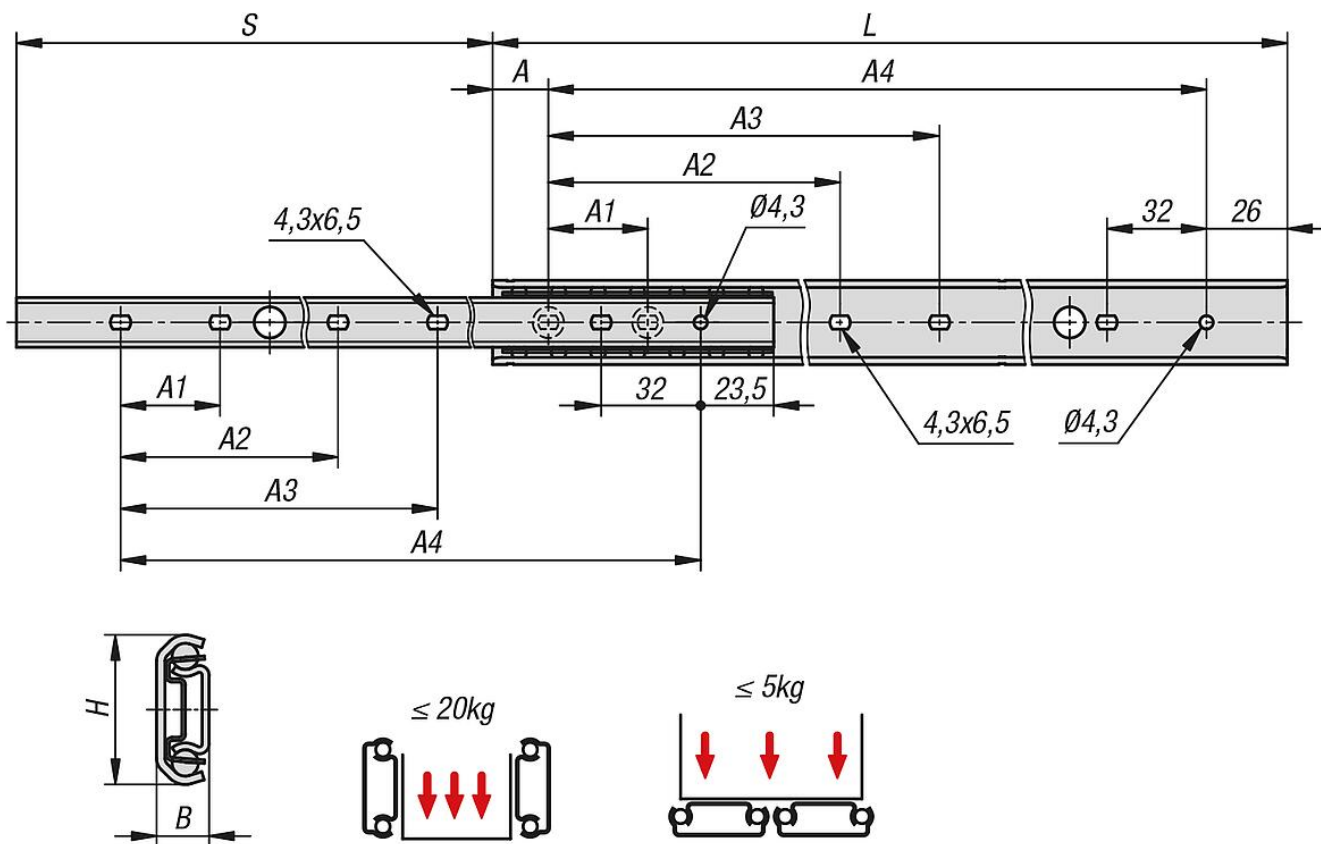
The head height of the fastening screws should not exceed 2.5 mm otherwise there is a risk of collision with other parts of the slide.

#### Temperature range:

-20 °C - +70 °C.

# Steel telescopic slides for side mounting, full extension, load capacity up to 20 kg

Drawings



## Overview of items

### Steel telescopic slides for side mounting, partial extension, load capacity up to 20 kg

Order No.	A	A1	A2	A3	B	H	Travel S	L	Assembly	Product type	Load capacity per pair (80,000 cycles) kg	Packaging type
K2089.0200	14	32	-	-	9,5	27,14	145,2	200	side mounting	standard	13	1 piece = 1 pair
K2089.0250	32	32	-	-	9,5	27,14	182,5	250	side mounting	standard	15	1 piece = 1 pair
K2089.0300	18	32	128	-	9,5	27,14	219,8	300	side mounting	standard	18	1 piece = 1 pair
K2089.0350	36	32	128	160	9,5	27,14	257,1	350	side mounting	standard	20	1 piece = 1 pair
K2089.0400	22	32	160	192	9,5	27,14	294,4	400	side mounting	standard	20	1 piece = 1 pair
K2089.0450	40	32	160	192	9,5	27,14	331,7	450	side mounting	standard	20	1 piece = 1 pair
K2089.0500	26	32	192	224	9,5	27,14	369	500	side mounting	standard	18	1 piece = 1 pair