

## Steel telescopic slides for side mounting, full extension, load capacity up to 68 kg

Item description/product images



### Description

#### Material:

Slides steel.  
Ball cages steel.  
Balls, steel.

#### Version:

Slides electro zinc-plated.  
Ball cages, electro zinc-plated.  
Balls hardened.

#### Note for ordering:

Sold in pairs.

#### Note:

By telescopic slides with full extension, the travel is roughly equal to the installed length, which ensures greater comfort and accessibility.

When closing, the movement of the telescopic slides is dampened by the soft closing feature and they move automatically into the end position.

The load capacity specified is calculated with a slide spacing of 450 mm and is based on the maximum value with 50,000 cycles.

Not suitable for horizontal mounting.

The head height of the fastening screws should not exceed 2.5 mm otherwise there is a risk of collision with other parts of the slide.

#### Temperature range:

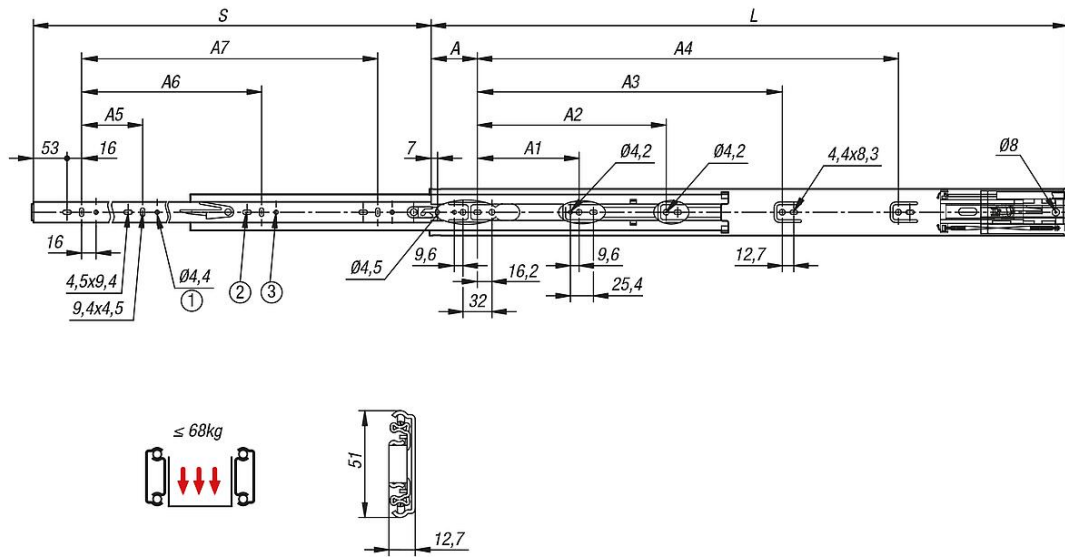
10 °C - 40 °C.

#### Drawing reference:

- 1) Mounting hole by K2088.0300 not available.
- 2) Mounting hole by K2088.0350 not available.
- 3) Mounting hole by K2088.0400 not available.

# Steel telescopic slides for side mounting, full extension, load capacity up to 68 kg

Drawings



## Overview of items

### Steel telescopic slides for side mounting, full extension, load capacity up to 68 kg

Order No.	A	A1	A2	A3	A4	A5	A6	A7	B	Fp= load capacity/pair 50,000 cycl.	H	Travel S	L	Assembly	Product type	Packaging type
K2088.0300	35	-	96	-	-	174	-	-	12,7	35	51	275	300	side mounting	standard	1 piece = 1 pair
K2088.0350	35	128	-	-	-	128	224	-	12,7	35	51	350	350	side mounting	standard	1 piece = 1 pair
K2088.0400	35	128	192	-	-	160	288	-	12,7	50	51	400	400	side mounting	standard	1 piece = 1 pair
K2088.0450	35	128	256	-	-	160	320	-	12,7	50	51	450	450	side mounting	standard	1 piece = 1 pair
K2088.0500	35	128	224	288	-	192	384	-	12,7	60	51	500	500	side mounting	standard	1 piece = 1 pair
K2088.0550	35	128	224	352	-	224	416	-	12,7	60	51	550	550	side mounting	standard	1 piece = 1 pair
K2088.0600	35	128	224	352	-	256	480	-	12,7	68	51	600	600	side mounting	standard	1 piece = 1 pair
K2088.0650	35	128	224	352	448	256	512	-	12,7	68	51	650	650	side mounting	standard	1 piece = 1 pair
K2088.0700	35	128	224	352	480	256	448	576	12,7	68	51	700	700	side mounting	standard	1 piece = 1 pair