

## Rod ends with plain bearing internal thread, steel, DIN ISO 12240-1, can be re-lubricated

Item description/product images



### Description

#### Material:

Housing size (D) 5-12 turned free-cutting steel.

From size (D) 14 forged QT steel, with grease nipple.

Ball joint: roller bearing steel, hardened, ground and polished.

Bearing shell bronze.

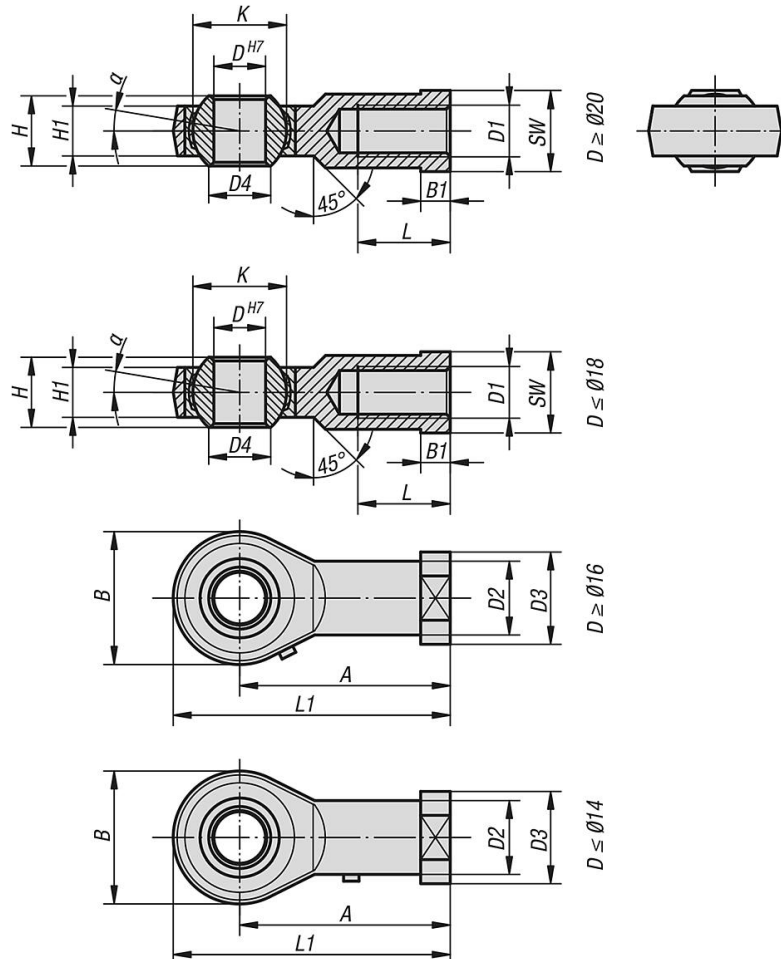
#### Version:

Electro zinc-plated.

#### Note:

The plain bearings on these rod ends can be re-lubricated. The connection dimensions comply with DIN 648 Form Series KJ.

### Drawings



### Overview of items

Rod ends with plain bearing, internal thread, steel, DIN ISO 12240-1, can be re-lubricated

## Rod ends with plain bearing internal thread, steel, DIN ISO 12240-1, can be re-lubricated

### Overview of items

Order No.	Version 2	Main material	A	B	B1	D	D1	D2	D3	D4	H	H1	K	L	L1	α	SW	Dynamic base loads kN	Static base loads kN
K2086.05	RH thread	steel	27	16	4	5	M5	8,5	11	7,7	8	6	11,11	10	35	13	9	3,25	5,7
K2086.06	RH thread	steel	30	18	5	6	M6	10	13	8,96	9	6,75	12,7	12	39	13	11	4,3	7,2
K2086.08	RH thread	steel	36	22	5	8	M8	12,5	16	10,4	12	9	15,875	16	47	14	14	7,2	11,6
K2086.10	RH thread	steel	43	26	6,5	10	M10	15	19	12,9	14	10,5	19,05	20	56	13	17	10	14,5
K2086.12	RH thread	steel	50	30	6,5	12	M12	17,5	22	15,4	16	12	22,225	22	65	13	19	13,4	17
K2086.14	RH thread	QT steel	57	34	8	14	M14	20	25	16,9	19	13,5	25,4	25	74	16	22	17	24
K2086.16	RH thread	QT steel	64	40	8	16	M16	22	27	19,4	21	15	28,575	28	84	15	22	21,6	28,5
K2086.18	RH thread	QT steel	71	44	10	18	M18x1,5	25	31	21,9	23	16,5	31,75	32	93	15	27	26	42,5
K2086.20	RH thread	QT steel	77	50	10	20	M20x1,5	27,5	34	24,4	25	18	34,925	33	102	14	30	31,5	42,5
K2086.22	RH thread	QT steel	84	54	12	22	M22x1,5	30	38	25,8	28	20	38,1	37	111	15	32	38	57
K2086.25	RH thread	QT steel	94	60	12	25	M24x2,0	33,5	42	29,6	31	22	42,86	42	124	15	36	47,5	68
K2086.30	RH thread	QT steel	110	70	15	30	M30x2,0	40	50	34,8	37	25	50,8	51	145	17	41	64	88
K2086.051	LH thread	steel	27	16	4	5	M5	8,5	11	7,7	8	6	11,11	10	35	13	9	3,25	5,7
K2086.061	LH thread	steel	30	18	5	6	M6	10	13	8,96	9	6,75	12,7	12	39	13	11	4,3	7,2
K2086.081	LH thread	steel	36	22	5	8	M8	12,5	16	10,4	12	9	15,875	16	47	14	14	7,2	11,6
K2086.101	LH thread	steel	43	26	6,5	10	M10	15	19	12,9	14	10,5	19,05	20	56	13	17	10	14,5
K2086.121	LH thread	steel	50	30	6,5	12	M12	17,5	22	15,4	16	12	22,225	22	65	13	19	13,4	17
K2086.141	LH thread	QT steel	57	34	8	14	M14	20	25	16,9	19	13,5	25,4	25	74	16	22	17	24
K2086.161	LH thread	QT steel	64	40	8	16	M16	22	27	19,4	21	15	28,575	28	84	15	22	21,6	28,5
K2086.181	LH thread	QT steel	71	44	10	18	M18x1,5	25	31	21,9	23	16,5	31,75	32	93	15	27	26	42,5
K2086.201	LH thread	QT steel	77	50	10	20	M20x1,5	27,5	34	24,4	25	18	34,925	33	102	14	30	31,5	42,5
K2086.221	LH thread	QT steel	84	54	12	22	M22x1,5	30	38	25,8	28	20	38,1	37	111	15	32	38	57
K2086.251	LH thread	QT steel	94	60	12	25	M24x2,0	33,5	42	29,6	31	22	42,86	42	124	15	36	47,5	68
K2086.301	LH thread	QT steel	110	70	15	30	M30x2,0	40	50	34,8	37	25	50,8	51	145	17	41	64	88