

Rod ends with plain bearing external thread, steel, DIN ISO 12240-1, can be re-lubricated

Item description/product images



Description

Material:

Housing size (D) 5-12 turned free-cutting steel.
 From size (D) 14 forged QT steel, with grease nipple.
 Ball joint: roller bearing steel, hardened, ground and polished.
 Bearing shell bronze.

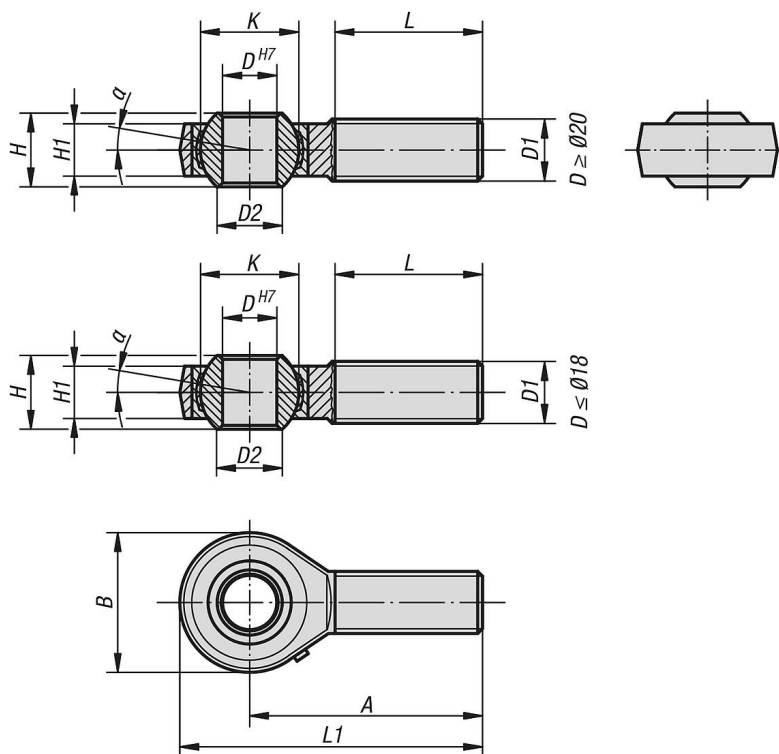
Version:

Electro zinc-plated.

Note:

The plain bearings on these rod ends can be re-lubricated. The connection dimensions comply with DIN 648 Form Series KA.

Drawings



Overview of items

Rod ends with plain bearing, external thread, steel, DIN ISO 12240-1, can be re-lubricated

Order No.	Version 2	Main material	A	B	D	D1=Thread	D2	H	H1	K	L	L1	α	Dynamic base loads kN	Static base loads kN
K2085.05	RH thread	steel	33	16	5	M5	7,7	8	6	11,11	20	41	13	3,25	5,7
K2085.06	RH thread	steel	36	18	6	M6	8,96	9	6,75	12,7	22	45	13	4,3	7,2
K2085.08	RH thread	steel	42	22	8	M8	10,4	12	9	15,875	25	53	14	7,2	11,6
K2085.10	RH thread	steel	48	26	10	M10	12,9	14	10,5	19,05	29	61	13	10	14,5
K2085.12	RH thread	steel	54	30	12	M12	15,4	16	12	22,225	33	69	13	13,4	17
K2085.14	RH thread	QT steel	60	34	14	M14	16,9	19	13,5	25,4	36	77	16	17	24
K2085.16	RH thread	QT steel	66	40	16	M16	19,4	21	15	28,575	40	86	15	21,6	28,5

Rod ends with plain bearing external thread, steel, DIN ISO 12240-1, can be re-lubricated

Overview of items

Order No.	Version 2	Main material	A	B	D	D1=Thread	D2	H	H1	K	L	L1	α	Dynamic base loads kN	Static base loads kN
K2085.18	RH thread	QT steel	72	44	18	M18x1,5	21,9	23	16,5	31,75	44	94	15	26	42,5
K2085.20	RH thread	QT steel	78	50	20	M20x1,5	24,4	25	18	34,925	47	103	14	31,5	52,5
K2085.22	RH thread	QT steel	84	54	22	M22x1,5	25,8	28	20	38,10	51	11	15	38	57
K2085.25	RH thread	QT steel	94	60	25	M24x2,0	29,6	31	22	42,86	57	124	15	47,5	68
K2085.30	RH thread	QT steel	110	70	30	M30x2,0	34,8	37	25	50,8	66	145	17	64	88
K2085.051	LH thread	steel	33	16	5	M5	7,7	8	6	11,11	20	41	13	3,25	5,7
K2085.061	LH thread	steel	36	18	6	M6	8,96	9	6,75	12,7	22	45	13	4,3	7,2
K2085.081	LH thread	steel	42	22	8	M8	10,4	12	9	15,875	25	53	14	7,2	11,6
K2085.101	LH thread	steel	48	26	10	M10	12,9	14	10,5	19,05	29	61	13	10	14,5
K2085.121	LH thread	steel	54	30	12	M12	15,4	16	12	22,225	33	69	13	13,4	17
K2085.141	LH thread	QT steel	60	34	14	M14	16,9	19	13,5	25,4	36	77	16	17	24
K2085.161	LH thread	QT steel	66	40	16	M16	19,4	21	15	28,575	40	86	15	21,6	28,5
K2085.181	LH thread	QT steel	72	44	18	M18x1,5	21,9	23	16,5	31,75	44	94	15	26	42,5
K2085.201	LH thread	QT steel	78	50	20	M20x1,5	24,4	25	18	34,925	47	103	14	31,5	52,5
K2085.221	LH thread	QT steel	84	54	22	M22x1,5	25,8	28	20	38,10	51	11	15	38	57
K2085.251	LH thread	QT steel	94	60	25	M24x2,0	29,6	31	22	42,86	57	124	15	47,5	68
K2085.301	LH thread	QT steel	110	70	30	M30x2,0	34,8	37	25	50,8	66	145	17	64	88