

# Rod ends with plain bearing external thread, narrow head, DIN ISO 12240-1, maintenance-free

Item description/product images



## Description

### Material:

Housing size (D) 6-12 turned steel.

From size (D) 17 forged steel.

Ball joint ball bearing steel, hardened, ground, polished and hard chromed.

Bearing shell ball bearing steel with PTFE weave glued in.

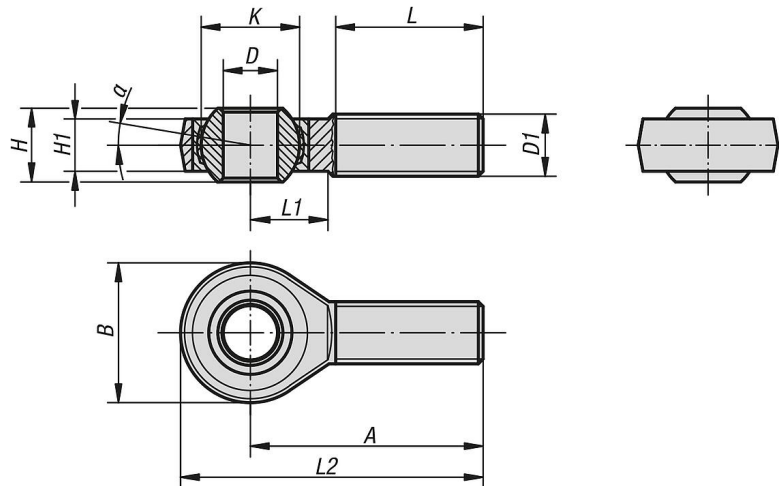
### Version:

Electro zinc-plated.

### Note:

The rod end bearing is maintenance-free. The connection dimensions comply with DIN 648 Form Series E.

## Drawings



## Overview of items

### Rod ends with plain bearing, external thread, narrow head, DIN ISO 12240-1, maintenance-free

Order No.	Version 2	Main material	A	B	D	D1	H	H1	K	L	L1	L2	$\alpha$	Dynamic base loads kN	Static base loads kN
K2083.06	RH thread	steel	36	21	6	M6	6	4,4	10	18	12	46,5	13	3,6	8,15
K2083.08	RH thread	steel	42	24	8	M8	8	6	13	22	14	54	15	5,85	12,9
K2083.10	RH thread	steel	48	29	10	M10	9	7	16	26	15	62,5	12	8,65	17,6
K2083.12	RH thread	steel	54	34	12	M12	10	8	18	28	18	71	11	11,4	24,5
K2083.17	RH thread	QT steel	69	46	17	M16	14	11	25	36	23	92	10	22,4	45
K2083.20	RH thread	QT steel	78	53	20	M20x1,5	16	13	29	43	27	104,5	9	31,5	60
K2083.25	RH thread	QT steel	94	64	25	M24x2,0	20	17	35,5	53	32	126	7	51	83
K2083.30	RH thread	QT steel	110	73	30	M30x2,0	22	19	40,7	65	37	146,5	6	66,5	110
K2083.061	LH thread	steel	36	21	6	M6	6	4,4	10	18	12	46,5	13	3,6	8,15
K2083.081	LH thread	steel	42	24	8	M8	8	6	13	22	14	54	15	5,85	12,9
K2083.101	LH thread	steel	48	29	10	M10	9	7	16	26	15	62,5	12	8,65	17,6
K2083.121	LH thread	steel	54	34	12	M12	10	8	18	28	18	71	11	11,4	24,5
K2083.171	LH thread	QT steel	69	46	17	M16	14	11	25	36	23	92	10	22,4	45
K2083.201	LH thread	QT steel	78	53	20	M20x1,5	16	13	29	43	27	104,5	9	31,5	60
K2083.251	LH thread	QT steel	94	64	25	M24x2,0	20	17	35,5	53	32	126	7	51	83
K2083.301	LH thread	QT steel	110	73	30	M30x2,0	22	19	40,7	65	37	146,5	6	66,5	110

**Rod ends with plain bearing external thread, narrow head, DIN ISO  
12240-1, maintenance-free**

Overview of items

---