

# Rod ends with plain bearing internal thread, stainless steel, DIN ISO 12240-1, maintenance-free

Item description/product images



## Description

### Material:

Housing forged stainless steel 1.4057.  
 . Bearing ball 1.4034. hardened and ground.  
 Bearing seat stainless steel 1.4571. with bonded PTFE fabric.

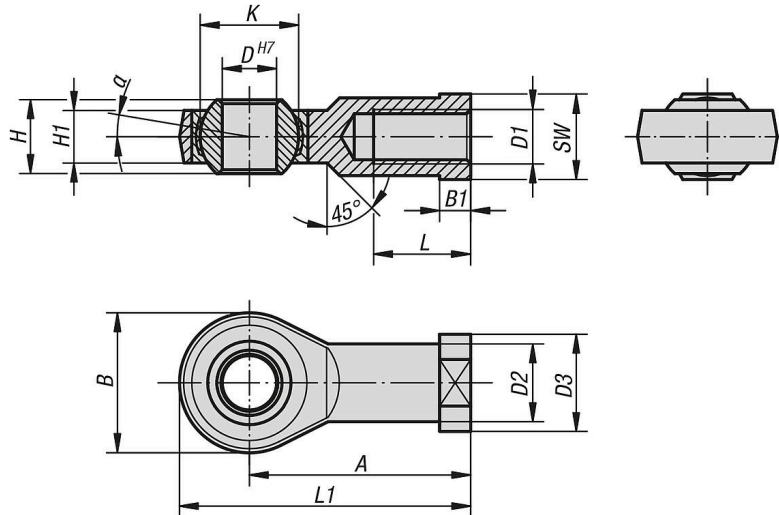
### Version:

Polished.

### Note:

The rod end bearing is maintenance-free. The connection dimensions comply with DIN 648 series KJ.

## Drawings



## Overview of items

### Rod ends with plain bearing, internal thread, stainless steel, DIN ISO 12240-1, maintenance-free

Order No.	Version 2	A	B	B1	D	D1	D2	D3	H	H1	K	L	L1	α	SW	Dynamic base loads kN	Static base loads kN
K2082.05	RH thread	27	18	4	5	M5	8,5	11	8	6	11,11	10	36	13	9	5,7	6
K2082.06	RH thread	30	20	5	6	M6	10	13	9	6,75	12,7	12	40	13	11	7,2	7,65
K2082.08	RH thread	36	24	5	8	M8	12,5	16	12	9	15,875	16	48	14	14	11,6	12,9
K2082.10	RH thread	43	28	6,5	10	M10	15	19	14	10,5	19,05	20	57	13	17	14,5	18
K2082.10125	RH thread	43	28	6,5	10	M10x1,25	15	19	14	10,5	19,05	20	57	13	17	14,5	18
K2082.12	RH thread	50	32	6,5	12	M12	17,5	22	16	12	22,225	22	66	13	19	17	24
K2082.12125	RH thread	50	32	6,5	12	M12x1,25	17,5	22	16	12	22,225	22	66	13	19	17	24
K2082.16	RH thread	64	42	8	16	M16	22	27	21	15	28,575	28	85	15	22	28,5	39
K2082.1615	RH thread	64	42	8	16	M16x1,5	22	27	21	15	28,575	28	85	15	22	28,5	39
K2082.20	RH thread	77	50	10	20	M20x1,5	27,5	34	25	18	34,925	33	102	14	30	42,5	57
K2082.22	RH thread	84	54	12	22	M22x1,5	30	38	28	20	38,10	37	111	15	32	57	68
K2082.25	RH thread	91	60	12	25	M24x2,0	33,5	42	31	22	42,86	42	124	15	36	68	85
K2082.30	RH thread	110	70	15	30	M30x2,0	40	50	37	25	50,8	51	145	17	41	88	114
K2082.051	LH thread	27	18	4	5	M5	8,5	11	8	6	11,11	10	36	13	9	5,7	6

## Rod ends with plain bearing internal thread, stainless steel, DIN ISO 12240-1, maintenance-free

### Overview of items

Order No.	Version 2	A	B	B1	D	D1	D2	D3	H	H1	K	L	L1	α	SW	Dynamic base loads kN	Static base loads kN
<b>K2082.061</b>	LH thread	30	20	5	6	M6	10	13	9	6,75	12,7	12	40	13	11	7,2	7,65
<b>K2082.081</b>	LH thread	36	24	5	8	M8	12,5	16	12	9	15,875	16	48	14	14	11,6	12,9
<b>K2082.101</b>	LH thread	43	28	6,5	10	M10	15	19	14	10,5	19,05	20	57	13	17	14,5	18
<b>K2082.101251</b>	LH thread	43	28	6,5	10	M10x1,25	15	19	14	10,5	19,05	20	57	13	17	14,5	18
<b>K2082.121</b>	LH thread	50	32	6,5	12	M12	17,5	22	16	12	22,225	22	66	13	19	17	24
<b>K2082.121251</b>	LH thread	50	32	6,5	12	M12x1,25	17,5	22	16	12	22,225	22	66	13	19	17	24
<b>K2082.161</b>	LH thread	64	42	8	16	M16	22	27	21	15	28,575	28	85	15	22	28,5	39
<b>K2082.16151</b>	LH thread	64	42	8	16	M16x1,5	22	27	21	15	28,575	28	85	15	22	28,5	39
<b>K2082.201</b>	LH thread	77	50	10	20	M20x1,5	27,5	34	25	18	34,925	33	102	14	30	42,5	57
<b>K2082.221</b>	LH thread	84	54	12	22	M22x1,5	30	38	28	20	38,10	37	111	15	32	57	68
<b>K2082.251</b>	LH thread	91	60	12	25	M24x2,0	33,5	42	31	22	42,86	42	124	15	36	68	85
<b>K2082.301</b>	LH thread	110	70	15	30	M30x2,0	40	50	37	25	50,8	51	145	17	41	88	114