

Rod ends with plain bearing external thread, stainless steel, DIN ISO 12240-1, maintenance-free

Item description/product images



Description

Material:

Housing forged stainless steel 1.4057.
 . Bearing ball 1.4034. hardened and ground.
 Bearing seat stainless steel 1.4571. with bonded PTFE fabric.

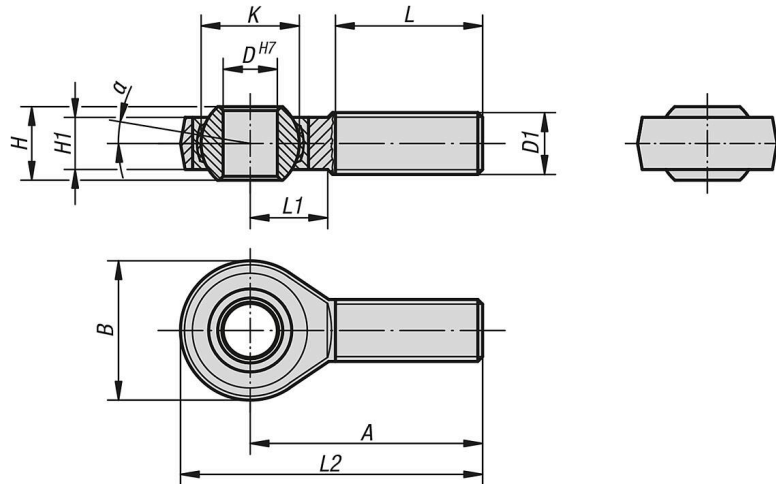
Version:

Polished.

Note:

The rod end bearing is maintenance-free. The connection dimensions comply with DIN 648 series KA.

Drawings



Overview of items

Rod ends with plain bearing, external thread, stainless steel, DIN ISO 12240-1, maintenance-free

Order No.	Version 2	A	B	D	D1	H	H1	K	L	L1	L2	a	Dynamic base loads kN	Static base loads kN
K2081.05	RH thread	33	18	5	M5	8	6	11,11	19	9	42	13	5,7	6
K2081.06	RH thread	36	20	6	M6	9	6,75	12,7	21	10	46	13	7,2	7,65
K2081.08	RH thread	42	24	8	M8	12	9	15,875	25	12	54	14	11,6	12,9
K2081.10	RH thread	48	28	10	M10	14	10,5	19,05	28	14	62	13	14,5	18
K2081.12	RH thread	54	32	12	M12	16	12	22,225	32	16	70	13	17	24
K2081.16	RH thread	66	42	16	M16	21	15	28,575	37	21	87	15	28,5	39
K2081.20	RH thread	78	50	20	M20x1,5	25	18	34,925	45	25	103	14	42,5	57
K2081.22	RH thread	84	54	22	M22x1,5	28	20	38,10	48	27	111	15	57	68
K2081.25	RH thread	94	60	25	M24x2,0	31	22	42,86	55	30	124	15	68	85
K2081.30	RH thread	110	70	30	M30x2,0	37	25	50,8	66	35	145	17	88	114
K2081.051	LH thread	33	18	5	M5	8	6	11,11	19	9	42	13	5,7	6
K2081.061	LH thread	36	20	6	M6	9	6,75	12,7	21	10	46	13	7,2	7,65
K2081.081	LH thread	42	24	8	M8	12	9	15,875	25	12	54	14	11,6	12,9
K2081.101	LH thread	48	28	10	M10	14	10,5	19,05	28	14	62	13	14,5	18
K2081.121	LH thread	54	32	12	M12	16	12	22,225	32	16	70	13	17	24
K2081.161	LH thread	66	42	16	M16	21	15	28,575	37	21	87	15	28,5	39

Rod ends with plain bearing external thread, stainless steel, DIN ISO 12240-1, maintenance-free

Overview of items

Order No.	Version 2	A	B	D	D1	H	H1	K	L	L1	L2	α	Dynamic base loads kN	Static base loads kN
K2081.201	LH thread	78	50	20	M20x1,5	25	18	34,925	45	25	103	14	42,5	57
K2081.221	LH thread	84	54	22	M22x1,5	28	20	38,10	48	27	111	15	57	68
K2081.251	LH thread	94	60	25	M24x2,0	31	22	42,86	55	30	124	15	68	85
K2081.301	LH thread	110	70	30	M30x2,0	37	25	50,8	66	35	145	17	88	114