

## Clamping ring for flexible clamping bolt

### Item description/product images



### Description

**Material:**  
Brass.

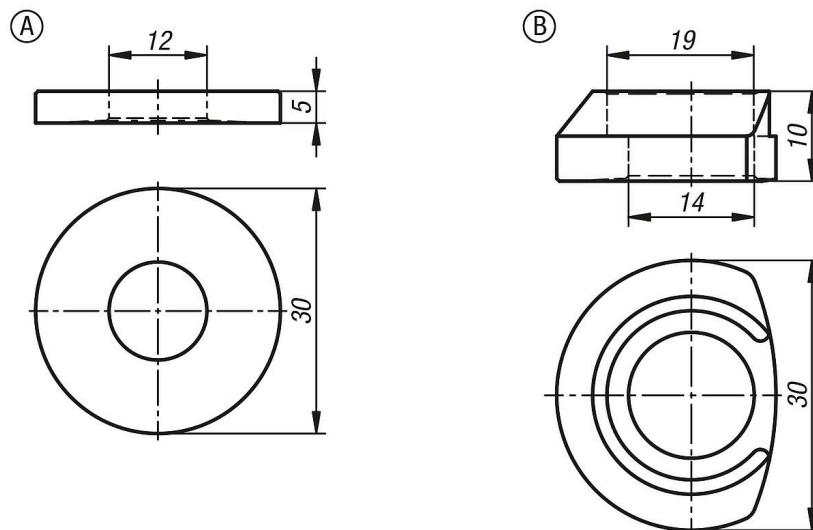
**Version:**  
Bright.

**Note:**  
The brass clamping ring prevents damage or scratches to the workpiece.

Form A: Standard.

Form B: Flattened. The flattened clamping ring enables quick workpiece removal.

### Drawings



### Overview of items

#### Clamping ring for flexible clamping bolt

Order No.	Form	Form definition
K2070.1	A	standard
K2070.2	B	flattened