

# Clamping screw with clamping ring for flexible clamping bolt

## Item description/product images



### Description

#### Material:

Screw steel.  
Clamping ring brass.

#### Version:

Screw black oxidised.  
Clamping ring bright.

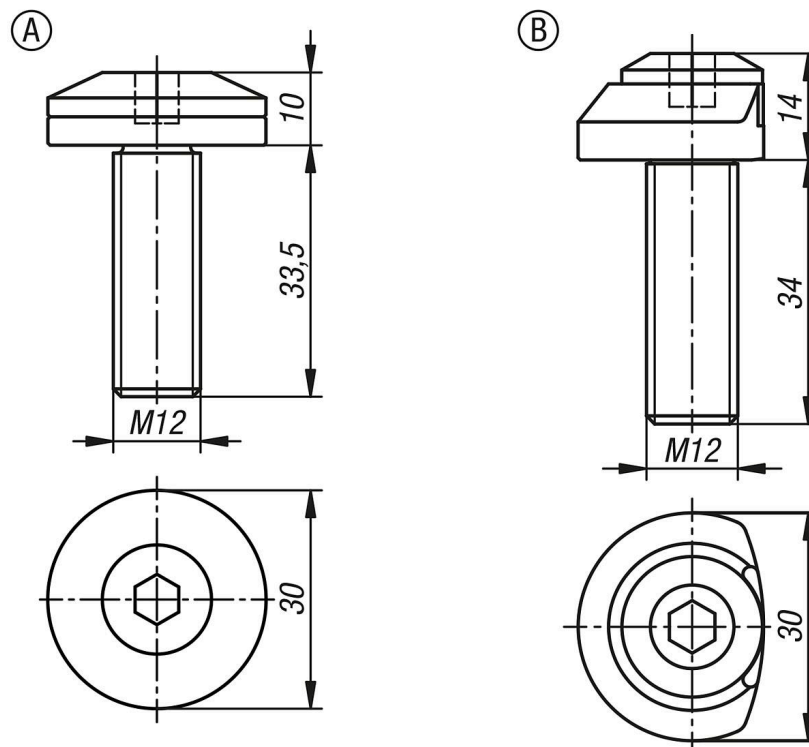
#### Note:

The clamping screw with clamping ring is screwed into the clamping bolt from above. They clamp the workpiece securely and effectively. A soft, replaceable brass clamping ring prevents damage or scratches to the workpiece.

Form A: Standard screw with minimised interference contour due to very flat screw head.

Form B: Bearing screw for large series production. The flattened clamping ring enables quick workpiece removal.

## Drawings



## Overview of items

### Clamping screw with clamping ring for flexible clamping bolt

Order No.	Form	Form definition
K2069.1	A	standard

## Clamping screw with clamping ring for flexible clamping bolt

### Overview of items

Order No.	Form	Form definition
K2069.2	B	flattened