

Rigid couplings one-piece

Item description/product images



Description

Material:

Steel 1.0718.
Stainless steel 1.4305.

Version:

Steel black oxidised.
Stainless steel bright.

Note:

Rigid couplings transmit high torques backlash-free and with high rigidity. They are used where there are no shaft misalignments or alignment errors. Wear and maintenance-free.

Transmission of the maximum nominal torque can only be achieved with optimum assembly and dimensional accuracy of the shafts.

Max. speed 4000 r/min.

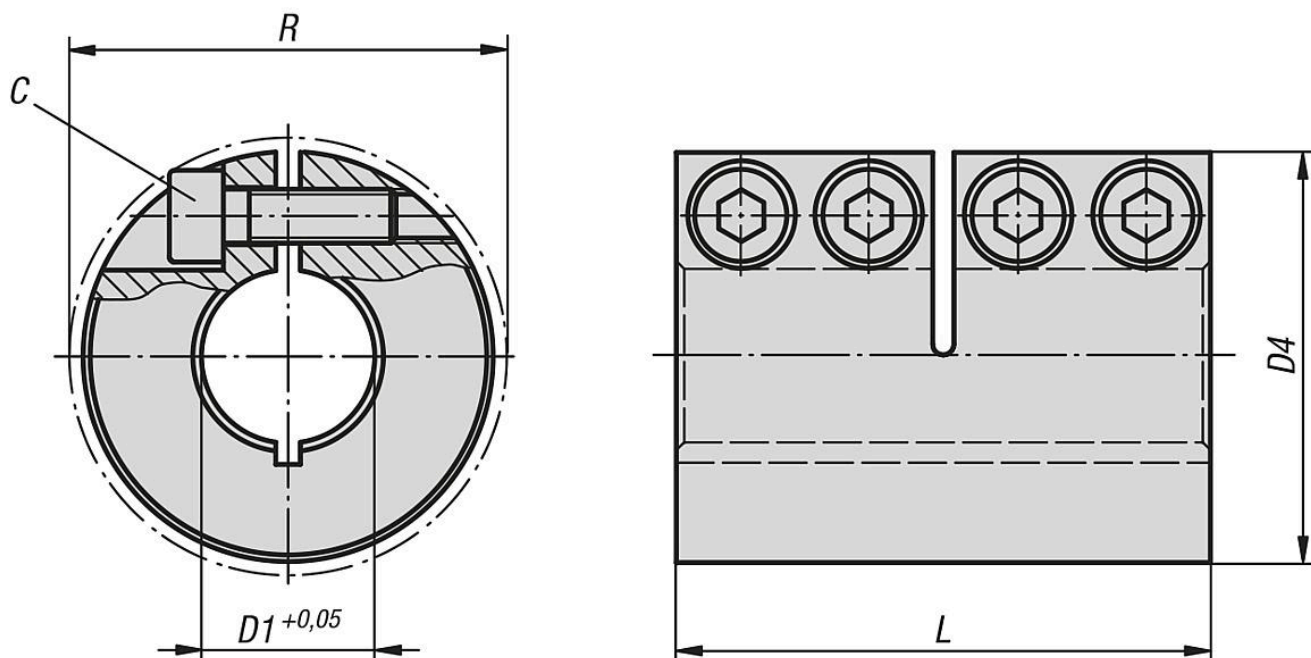
Temperature range:

-40 °C - +175 °C.

On request:

Other dimensions.

Drawings



Overview of items

One-piece rigid couplings, steel

Rigid couplings one-piece

Overview of items

Order No.	Main material	C (DIN 912-12.9)	Tightening torque of screws Nm	D1	D4	L	R	Nominal torque Nm
K2064.1080	steel	M3x8	2,1	8	24	35	26,8	50
K2064.1100	steel	M4x12	4,6	10	29	45	32,7	70
K2064.1120	steel	M4x12	4,6	12	29	45	32,7	70
K2064.1140	steel	M5x16	9,5	14	34	50	39,4	190
K2064.1150	steel	M5x16	9,5	15	34	50	39,4	190
K2064.1160	steel	M5x16	9,5	16	34	50	39,4	190
K2064.1190	steel	M6x18	16	19	42	65	48,2	300
K2064.1200	steel	M6x18	16	20	42	65	48,2	350
K2064.1350	steel	M8x25	39	35	67	95	74,1	1100
K2064.1250	steel	M6x18	16	25	45	75	50,8	390
K2064.1300	steel	M6x18	16	30	54	83	58,6	475
K2064.1400	steel	M8x25	39	40	77	108	83,4	1325
K2064.1500	steel	M10x25	77	50	85	124	93,2	2250

One-piece rigid couplings, stainless steel

Order No.	Main material	C (DIN 912 A2-70)	Tightening torque of screws Nm	D1	D4	L	R	Nominal torque Nm
K2064.2080	stainless steel	M3x8	1,1	8	24	35	26,8	16
K2064.2100	stainless steel	M4x12	2,5	10	29	45	32,7	70
K2064.2120	stainless steel	M4x12	2,5	12	29	45	32,7	70
K2064.2140	stainless steel	M5x16	5,4	14	34	50	39,4	160
K2064.2150	stainless steel	M5x16	5,4	15	34	50	39,4	160
K2064.2160	stainless steel	M5x16	5,4	16	34	50	39,4	160
K2064.2190	stainless steel	M6x18	9,6	19	42	65	48,2	260
K2064.2200	stainless steel	M6x18	9,6	20	42	65	48,2	300
K2064.2250	stainless steel	M6x18	9,6	25	45	75	50,8	325
K2064.2300	stainless steel	M6x18	9,6	30	54	83	58,6	400
K2064.2350	stainless steel	M8x25	23	35	67	95	74,1	330
K2064.2400	stainless steel	M8x25	23	40	77	108	83,4	400
K2064.2500	stainless steel	M10x25	46	50	85	124	93,2	688