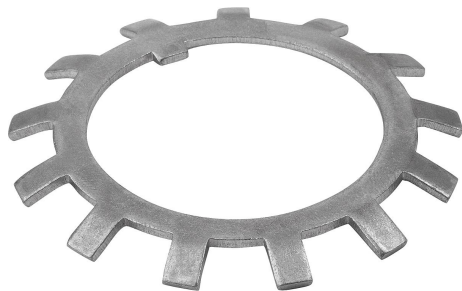


# Locking plate steel or stainless steel DIN 5406

## Item description/product images



### Description

#### Material:

Steel.  
Stainless steel A2.

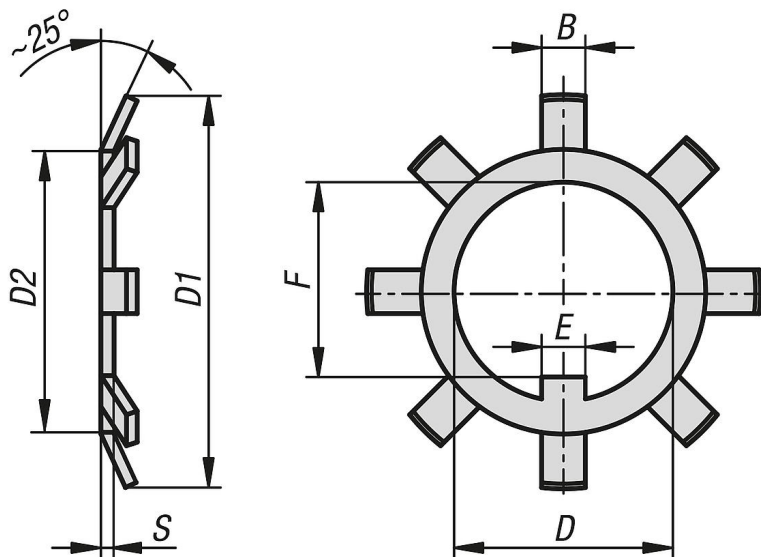
#### Version:

Stainless steel, bright.  
Steel, bright.  
Steel electro zinc-plated.

#### Note:

DIN 5406 locking plates are used to secure the DIN 981 slotted round nuts. To use the locking plates, a keyway must be cut into the screw thread.

## Drawings



## Overview of items

Order No.	Main material	Surface finish body	B	D	D1	D2	E	F	S	Suitable for
K2063.0010	steel	bright	3	10	21	13,5	3	8,5	1	K2060.0010
K2063.0012	steel	bright	3	12	25	17	3	10,5	1	K2060.0012
K2063.0015	steel	bright	4	15	28	21	4	13,5	1	K2060.0015
K2063.0017	steel	bright	4	17	32	24	4	15,5	1	K2060.0017
K2063.0020	steel	bright	4	20	36	26	4	18,5	1	K2060.0020
K2063.0025	steel	bright	5	25	42	32	5	23	1,25	K2060.0025
K2063.0030	steel	bright	5	30	49	38	5	27,5	1,25	K2060.0030
K2063.0035	steel	bright	5	35	57	44	6	32,5	1,25	K2060.0035
K2063.0040	steel	bright	6	40	62	50	6	37,5	1,25	K2060.0040
K2063.0045	steel	bright	6	45	69	56	6	42,5	1,25	K2060.0045
K2063.0050	steel	bright	6	50	74	61	6	47,5	1,25	K2060.0050
K2063.0055	steel	bright	7	55	81	67	8	52,5	1,5	K2060.0055
K2063.0060	steel	bright	7	60	86	73	8	57,5	1,5	K2060.0060
K2063.0065	steel	bright	7	65	92	79	8	62,5	1,5	K2060.0065
K2063.0070	steel	bright	8	70	98	85	8	66,5	1,5	K2060.0070
K2063.0075	steel	bright	8	75	104	90	8	71,5	1,5	K2060.0075

## Locking plate steel or stainless steel DIN 5406

### Overview of items

Order No.	Main material	Surface finish body	B	D	D1	D2	E	F	S	Suitable for
K2063.0080	steel	bright	8	80	112	95	10	76,5	1,8	K2060.0080
K2063.0085	steel	bright	8	85	119	102	10	81,8	1,8	K2060.0085
K2063.0090	steel	bright	10	90	126	108	10	86,5	1,8	K2060.0090
K2063.0095	steel	bright	10	95	133	113	10	91,5	1,8	K2060.0095
K2063.0100	steel	bright	10	100	142	120	12	96,5	1,8	K2060.0100
K2063.1010	steel	galvanised	3	10	21	13,5	3	8,5	1	K2060.010
K2063.1012	steel	galvanised	3	12	25	17	3	10,5	1	K2060.012
K2063.1015	steel	galvanised	4	15	28	21	4	13,5	1	K2060.015
K2063.1017	steel	galvanised	4	17	32	24	4	15,5	1	K2060.017
K2063.1020	steel	galvanised	4	20	36	26	4	18,5	1	K2060.020
K2063.1025	steel	galvanised	5	25	42	32	5	23	1,25	K2060.025
K2063.1030	steel	galvanised	5	30	49	38	5	27,5	1,25	K2060.030
K2063.1035	steel	galvanised	5	35	57	44	6	32,5	1,25	K2060.035
K2063.1040	steel	galvanised	6	40	62	50	6	37,5	1,25	K2060.040
K2063.1045	steel	galvanised	6	45	69	56	6	42,5	1,25	K2060.045
K2063.1050	steel	galvanised	6	50	74	61	6	47,5	1,25	K2060.050
K2063.1055	steel	galvanised	7	55	81	67	8	52,5	1,5	K2060.055
K2063.1060	steel	galvanised	7	60	86	73	8	57,5	1,5	K2060.060
K2063.1065	steel	galvanised	7	65	92	79	8	62,5	1,5	K2060.065
K2063.1070	steel	galvanised	8	70	98	85	8	66,5	1,5	K2060.070
K2063.1075	steel	galvanised	8	75	104	90	8	71,5	1,5	K2060.075
K2063.1080	steel	galvanised	8	80	112	95	10	76,5	1,8	K2060.080
K2063.1085	steel	galvanised	8	85	119	102	10	81,8	1,8	K2060.085
K2063.1090	steel	galvanised	10	90	126	108	10	86,5	1,8	K2060.090
K2063.1095	steel	galvanised	10	95	133	113	10	91,5	1,8	K2060.095
K2063.1100	steel	galvanised	10	100	142	120	12	96,5	1,8	K2060.100
K2063.2010	stainless steel A2	bright	3	10	21	13,5	3	8,5	1	K2060.1010
K2063.2012	stainless steel A2	bright	3	12	25	17	3	10,5	1	K2060.1012
K2063.2015	stainless steel A2	bright	4	15	28	21	4	13,5	1	K2060.1015
K2063.2017	stainless steel A2	bright	4	17	32	24	4	15,5	1	K2060.1017
K2063.2020	stainless steel A2	bright	4	20	36	26	4	18,5	1	K2060.1020
K2063.2025	stainless steel A2	bright	5	25	42	32	5	23	1,25	K2060.1025
K2063.2030	stainless steel A2	bright	5	30	49	38	5	27,5	1,25	K2060.1030
K2063.2035	stainless steel A2	bright	6	35	57	44	5	32,5	1,25	K2060.1035
K2063.2040	stainless steel A2	bright	6	40	62	50	6	37,5	1,25	K2060.1040
K2063.2045	stainless steel A2	bright	6	45	69	56	6	42,5	1,25	K2060.1045
K2063.2050	stainless steel A2	bright	6	50	74	61	6	47,5	1,25	K2060.1050
K2063.2055	stainless steel A2	bright	7	55	81	67	8	52,5	1,5	K2060.1055
K2063.2060	stainless steel A2	bright	7	60	86	73	8	57,5	1,5	K2060.1060
K2063.2065	stainless steel A2	bright	7	65	92	79	8	62,5	1,5	K2060.1065
K2063.2070	stainless steel A2	bright	8	70	98	85	8	66,5	1,5	K2060.1070
K2063.2075	stainless steel A2	bright	8	75	104	90	8	71,5	1,5	K2060.1075
K2063.2080	stainless steel A2	bright	8	80	112	95	10	76,5	1,8	K2060.1080
K2063.2085	stainless steel A2	bright	8	85	119	102	10	81,8	1,8	K2060.1085
K2063.2090	stainless steel A2	bright	10	90	126	108	10	86,5	1,8	K2060.1090
K2063.2095	stainless steel A2	bright	10	95	133	113	10	91,5	1,8	K2060.1095
K2063.2100	stainless steel A2	bright	10	100	142	120	12	96,5	1,8	K2060.1100