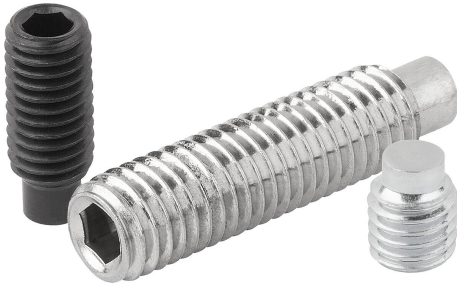


Grub screws with hex socket and pin DIN EN ISO 4028

Item description/product images



Description

Material:

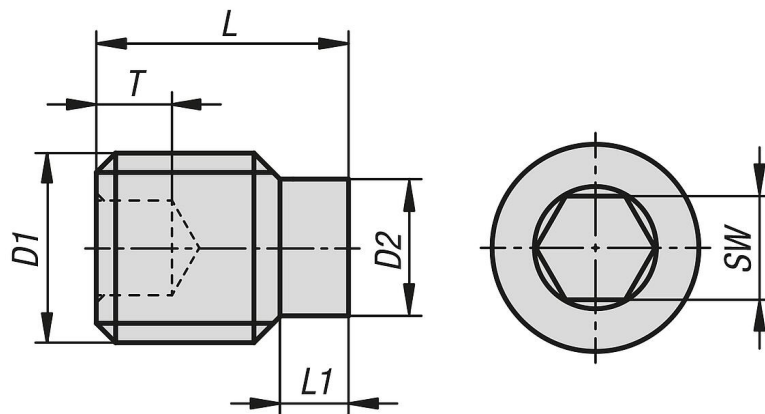
Steel, stainless steel A2 or stainless steel A4.

Version:

Steel grade 45 H, bright (blackened) or electro zinc-plated.

Stainless steel A2 or stainless steel A4, bright.

Drawings



Overview of items

Grub screws with hex socket and pin DIN EN ISO 4028

Order No.	Material	Surface finish body	Grade	D1	D2	L	L1 max.	T	SW
K2052.103X4	stainless steel A2	bright	70	M3	2	4	1	1,2	1,5
K2052.103X5	stainless steel A2	bright	70	M3	2	5	1	1,2	1,5
K2052.103X6	stainless steel A2	bright	70	M3	2	6	1,75	2	1,5
K2052.103X8	stainless steel A2	bright	70	M3	2	8	1,75	2	1,5
K2052.103X10	stainless steel A2	bright	70	M3	2	10	1,75	2	1,5
K2052.103X12	stainless steel A2	bright	70	M3	2	12	1,75	2	1,5
K2052.104X5	stainless steel A2	bright	70	M4	2,5	5	1,25	1,5	2
K2052.104X6	stainless steel A2	bright	70	M4	2,5	6	1,25	1,5	2
K2052.104X8	stainless steel A2	bright	70	M4	2,5	8	2,25	2,5	2
K2052.104X10	stainless steel A2	bright	70	M4	2,5	10	2,25	2,5	2
K2052.104X12	stainless steel A2	bright	70	M4	2,5	12	2,25	2,5	2
K2052.104X16	stainless steel A2	bright	70	M4	2,5	16	2,25	2,5	2
K2052.104X20	stainless steel A2	bright	70	M4	2,5	20	2,25	2,5	2
K2052.104X25	stainless steel A2	bright	70	M4	2,5	25	2,25	2,5	2
K2052.105X5	stainless steel A2	bright	70	M5	3,5	5	1,5	2	2,5
K2052.105X6	stainless steel A2	bright	70	M5	3,5	6	1,5	2	2,5
K2052.105X8	stainless steel A2	bright	70	M5	3,5	8	2,75	3	2,5
K2052.105X10	stainless steel A2	bright	70	M5	3,5	10	2,75	3	2,5
K2052.105X12	stainless steel A2	bright	70	M5	3,5	12	2,75	3	2,5
K2052.105X16	stainless steel A2	bright	70	M5	3,5	16	2,75	3	2,5
K2052.105X20	stainless steel A2	bright	70	M5	3,5	20	2,75	3	2,5
K2052.105X25	stainless steel A2	bright	70	M5	3,5	25	2,75	3	2,5
K2052.105X30	stainless steel A2	bright	70	M5	3,5	30	2,75	3	2,5
K2052.105X35	stainless steel A2	bright	70	M5	3,5	35	2,75	3	2,5
K2052.106X6	stainless steel A2	bright	70	M6	4	6	1,75	2	3

Grub screws with hex socket and pin DIN EN ISO 4028

Overview of items

Order No.	Material	Surface finish body	Grade	D1	D2	L	L1 max.	T	SW
K2052.106X8	stainless steel A2	bright	70	M6	4	8	1,75	2	3
K2052.106X10	stainless steel A2	bright	70	M6	4	10	3,25	3,5	3
K2052.106X12	stainless steel A2	bright	70	M6	4	12	3,25	3,5	3
K2052.106X16	stainless steel A2	bright	70	M6	4	16	3,25	3,5	3
K2052.106X20	stainless steel A2	bright	70	M6	4	20	3,25	3,5	3
K2052.106X25	stainless steel A2	bright	70	M6	4	25	3,25	3,5	3
K2052.106X30	stainless steel A2	bright	70	M6	4	30	3,25	3,5	3
K2052.106X35	stainless steel A2	bright	70	M6	4	35	3,25	3,5	3
K2052.106X40	stainless steel A2	bright	70	M6	4	40	3,25	3,5	3
K2052.108X8	stainless steel A2	bright	70	M8	5,5	8	2,25	3	4
K2052.108X10	stainless steel A2	bright	70	M8	5,5	10	2,25	3	4
K2052.108X12	stainless steel A2	bright	70	M8	5,5	12	4,3	5	4
K2052.108X16	stainless steel A2	bright	70	M8	5,5	16	4,3	5	4
K2052.108X20	stainless steel A2	bright	70	M8	5,5	20	4,3	5	4
K2052.108X25	stainless steel A2	bright	70	M8	5,5	25	4,3	5	4
K2052.108X30	stainless steel A2	bright	70	M8	5,5	30	4,3	5	4
K2052.108X35	stainless steel A2	bright	70	M8	5,5	35	4,3	5	4
K2052.108X40	stainless steel A2	bright	70	M8	5,5	40	4,3	5	4
K2052.110X10	stainless steel A2	bright	70	M10	7	10	2,75	4	5
K2052.110X12	stainless steel A2	bright	70	M10	7	12	2,75	4	5
K2052.110X16	stainless steel A2	bright	70	M10	7	16	5,3	6	5
K2052.110X20	stainless steel A2	bright	70	M10	7	20	5,3	6	5
K2052.110X25	stainless steel A2	bright	70	M10	7	25	5,3	6	5
K2052.110X30	stainless steel A2	bright	70	M10	7	30	5,3	6	5
K2052.110X35	stainless steel A2	bright	70	M10	7	35	5,3	6	5
K2052.110X40	stainless steel A2	bright	70	M10	7	40	5,3	6	5
K2052.110X50	stainless steel A2	bright	70	M10	7	50	5,3	6	5
K2052.112X12	stainless steel A2	bright	70	M12	8,5	12	3,25	4,8	6
K2052.112X16	stainless steel A2	bright	70	M12	8,5	16	3,25	4,8	6
K2052.112X20	stainless steel A2	bright	70	M12	8,5	20	6,3	8	6
K2052.112X25	stainless steel A2	bright	70	M12	8,5	25	6,3	8	6
K2052.112X30	stainless steel A2	bright	70	M12	8,5	30	6,3	8	6
K2052.112X35	stainless steel A2	bright	70	M12	8,5	35	6,3	8	6
K2052.112X40	stainless steel A2	bright	70	M12	8,5	40	6,3	8	6
K2052.112X50	stainless steel A2	bright	70	M12	8,5	50	6,3	8	6
K2052.112X60	stainless steel A2	bright	70	M12	8,5	60	6,3	8	6
K2052.604X6	stainless steel A4	bright	70	M4	2,5	6	1,25	1,5	2
K2052.604X8	stainless steel A4	bright	70	M4	2,5	8	2,25	2,5	2
K2052.604X10	stainless steel A4	bright	70	M4	2,5	10	2,25	2,5	2
K2052.604X12	stainless steel A4	bright	70	M4	2,5	12	2,25	2,5	2
K2052.605X6	stainless steel A4	bright	70	M5	3,5	6	1,5	2	2,5
K2052.605X8	stainless steel A4	bright	70	M5	3,5	8	2,75	3	2,5
K2052.605X10	stainless steel A4	bright	70	M5	3,5	10	2,75	3	2,5
K2052.605X12	stainless steel A4	bright	70	M5	3,5	12	2,75	3	2,5
K2052.605X16	stainless steel A4	bright	70	M5	3,5	16	2,75	3	2,5
K2052.605X20	stainless steel A4	bright	70	M5	3,5	20	2,75	3	2,5
K2052.605X25	stainless steel A4	bright	70	M5	3,5	25	2,75	3	2,5
K2052.606X6	stainless steel A4	bright	70	M6	4	6	1,75	2	3
K2052.606X8	stainless steel A4	bright	70	M6	4	8	1,75	2	3
K2052.606X10	stainless steel A4	bright	70	M6	4	10	3,25	3,5	3
K2052.606X12	stainless steel A4	bright	70	M6	4	12	3,25	3,5	3
K2052.606X16	stainless steel A4	bright	70	M6	4	16	3,25	3,5	3
K2052.606X20	stainless steel A4	bright	70	M6	4	20	3,25	3,5	3
K2052.606X25	stainless steel A4	bright	70	M6	4	25	3,25	3,5	3
K2052.606X30	stainless steel A4	bright	70	M6	4	30	3,25	3,5	3
K2052.608X8	stainless steel A4	bright	70	M8	5,5	8	2,25	3	4
K2052.608X10	stainless steel A4	bright	70	M8	5,5	10	2,25	3	4
K2052.608X12	stainless steel A4	bright	70	M8	5,5	12	4,3	5	4
K2052.608X16	stainless steel A4	bright	70	M8	5,5	16	4,3	5	4
K2052.608X20	stainless steel A4	bright	70	M8	5,5	20	4,3	5	4
K2052.608X25	stainless steel A4	bright	70	M8	5,5	25	4,3	5	4
K2052.608X30	stainless steel A4	bright	70	M8	5,5	30	4,3	5	4

Grub screws with hex socket and pin DIN EN ISO 4028

Overview of items

Order No.	Material	Surface finish body	Grade	D1	D2	L	L1 max.	T	SW
K2052.610X10	stainless steel A4	bright	70	M10	7	10	2,75	4	5
K2052.610X12	stainless steel A4	bright	70	M10	7	12	2,75	4	5
K2052.610X16	stainless steel A4	bright	70	M10	7	16	5,3	6	5
K2052.610X20	stainless steel A4	bright	70	M10	7	20	5,3	6	5
K2052.610X25	stainless steel A4	bright	70	M10	7	25	5,3	6	5
K2052.610X30	stainless steel A4	bright	70	M10	7	30	5,3	6	5
K2052.612X12	stainless steel A4	bright	70	M12	8,5	12	3,25	4,8	6
K2052.612X16	stainless steel A4	bright	70	M12	8,5	16	6,3	8	6
K2052.612X20	stainless steel A4	bright	70	M12	8,5	20	6,3	8	6
K2052.612X25	stainless steel A4	bright	70	M12	8,5	25	6,3	8	6
K2052.612X30	stainless steel A4	bright	70	M12	8,5	30	6,3	8	6
K2052.03X6	steel	bright (black)	45 H	M3	2	6	1,75	2	1,5
K2052.03X8	steel	bright (black)	45 H	M3	2	8	1,75	2	1,5
K2052.03X10	steel	bright (black)	45 H	M3	2	10	1,75	2	1,5
K2052.03X12	steel	bright (black)	45 H	M3	2	12	1,75	2	1,5
K2052.03X16	steel	bright (black)	45 H	M3	2	16	1,75	2	1,5
K2052.03X20	steel	bright (black)	45 H	M3	2	20	1,75	2	1,5
K2052.04X4	steel	bright (black)	45 H	M4	2,5	4	1,25	1,5	2
K2052.04X5	steel	bright (black)	45 H	M4	2,5	5	1,25	1,5	2
K2052.04X6	steel	bright (black)	45 H	M4	2,5	6	1,25	1,5	2
K2052.04X8	steel	bright (black)	45 H	M4	2,5	8	2,25	2,5	2
K2052.04X10	steel	bright (black)	45 H	M4	2,5	10	2,25	2,5	2
K2052.04X12	steel	bright (black)	45 H	M4	2,5	12	2,25	2,5	2
K2052.04X16	steel	bright (black)	45 H	M4	2,5	16	2,25	2,5	2
K2052.04X20	steel	bright (black)	45 H	M4	2,5	20	2,25	2,5	2
K2052.04X25	steel	bright (black)	45 H	M4	2,5	25	2,25	2,5	2
K2052.04X30	steel	bright (black)	45 H	M4	2,5	30	2,25	2,5	2
K2052.05X5	steel	bright (black)	45 H	M5	3,5	5	1,5	2	2,5
K2052.05X6	steel	bright (black)	45 H	M5	3,5	6	1,5	2	2,5
K2052.05X8	steel	bright (black)	45 H	M5	3,5	8	2,75	3	2,5
K2052.05X10	steel	bright (black)	45 H	M5	3,5	10	2,75	3	2,5
K2052.05X12	steel	bright (black)	45 H	M5	3,5	12	2,75	3	2,5
K2052.05X16	steel	bright (black)	45 H	M5	3,5	16	2,75	3	2,5
K2052.05X20	steel	bright (black)	45 H	M5	3,5	20	2,75	3	2,5
K2052.05X25	steel	bright (black)	45 H	M5	3,5	25	2,75	3	2,5
K2052.05X30	steel	bright (black)	45 H	M5	3,5	30	2,75	3	2,5
K2052.06X6	steel	bright (black)	45 H	M6	4	6	1,75	2	3
K2052.06X8	steel	bright (black)	45 H	M6	4	8	1,75	2	3
K2052.06X10	steel	bright (black)	45 H	M6	4	10	3,25	3,5	3
K2052.06X12	steel	bright (black)	45 H	M6	4	12	3,25	3,5	3
K2052.06X16	steel	bright (black)	45 H	M6	4	16	3,25	3,5	3
K2052.06X20	steel	bright (black)	45 H	M6	4	20	3,25	3,5	3
K2052.06X25	steel	bright (black)	45 H	M6	4	25	3,25	3,5	3
K2052.06X30	steel	bright (black)	45 H	M6	4	30	3,25	3,5	3
K2052.06X35	steel	bright (black)	45 H	M6	4	35	3,25	3,5	3
K2052.06X40	steel	bright (black)	45 H	M6	4	40	3,25	3,5	3
K2052.06X50	steel	bright (black)	45 H	M6	4	50	3,25	3,5	3
K2052.08X8	steel	bright (black)	45 H	M8	5,5	8	2,25	3	4
K2052.08X10	steel	bright (black)	45 H	M8	5,5	10	2,25	3	4
K2052.08X12	steel	bright (black)	45 H	M8	5,5	12	4,3	5	4
K2052.08X16	steel	bright (black)	45 H	M8	5,5	16	4,3	5	4
K2052.08X20	steel	bright (black)	45 H	M8	5,5	20	4,3	5	4
K2052.08X25	steel	bright (black)	45 H	M8	5,5	25	4,3	5	4
K2052.08X30	steel	bright (black)	45 H	M8	5,5	30	4,3	5	4
K2052.08X35	steel	bright (black)	45 H	M8	5,5	35	4,3	5	4
K2052.08X40	steel	bright (black)	45 H	M8	5,5	40	4,3	5	4
K2052.08X50	steel	bright (black)	45 H	M8	5,5	50	4,3	5	4
K2052.10X8	steel	bright (black)	45 H	M10	7	8	2,75	4	5
K2052.10X10	steel	bright (black)	45 H	M10	7	10	2,75	4	5
K2052.10X12	steel	bright (black)	45 H	M10	7	12	2,75	4	5
K2052.10X16	steel	bright (black)	45 H	M10	7	16	5,3	6	5
K2052.10X20	steel	bright (black)	45 H	M10	7	20	5,3	6	5

Grub screws with hex socket and pin DIN EN ISO 4028

Overview of items

Order No.	Material	Surface finish body	Grade	D1	D2	L	L1 max.	T	SW
K2052.10X25	steel	bright (black)	45 H	M10	7	25	5,3	6	5
K2052.10X30	steel	bright (black)	45 H	M10	7	30	5,3	6	5
K2052.10X35	steel	bright (black)	45 H	M10	7	35	5,3	6	5
K2052.10X40	steel	bright (black)	45 H	M10	7	40	5,3	6	5
K2052.10X50	steel	bright (black)	45 H	M10	7	50	5,3	6	5
K2052.10X60	steel	bright (black)	45 H	M10	7	60	5,3	6	5
K2052.12X12	steel	bright (black)	45 H	M12	8,5	12	3,25	4,8	6
K2052.12X16	steel	bright (black)	45 H	M12	8,5	16	3,25	4,8	6
K2052.12X20	steel	bright (black)	45 H	M12	8,5	20	6,3	8	6
K2052.12X25	steel	bright (black)	45 H	M12	8,5	25	6,3	8	6
K2052.12X30	steel	bright (black)	45 H	M12	8,5	30	6,3	8	6
K2052.12X35	steel	bright (black)	45 H	M12	8,5	35	6,3	8	6
K2052.12X40	steel	bright (black)	45 H	M12	8,5	40	6,3	8	6
K2052.12X50	steel	bright (black)	45 H	M12	8,5	50	6,3	8	6
K2052.12X60	steel	bright (black)	45 H	M12	8,5	60	6,3	8	6
K2052.12X70	steel	bright (black)	45 H	M12	8,5	70	6,3	8	6
K2052.16X16	steel	bright (black)	45 H	M16	12	16	4,3	6,4	8
K2052.16X20	steel	bright (black)	45 H	M16	12	20	8,36	10	8
K2052.16X25	steel	bright (black)	45 H	M16	12	25	8,36	10	8
K2052.16X30	steel	bright (black)	45 H	M16	12	30	8,36	10	8
K2052.16X35	steel	bright (black)	45 H	M16	12	35	8,36	10	8
K2052.16X40	steel	bright (black)	45 H	M16	12	40	8,36	10	8
K2052.16X50	steel	bright (black)	45 H	M16	12	50	8,36	10	8
K2052.16X60	steel	bright (black)	45 H	M16	12	60	8,36	10	8
K2052.16X70	steel	bright (black)	45 H	M16	12	70	8,36	10	8
K2052.20X25	steel	bright (black)	45 H	M20	15	25	5,3	8	10
K2052.20X30	steel	bright (black)	45 H	M20	15	30	10,36	12	10
K2052.20X35	steel	bright (black)	45 H	M20	15	35	10,36	12	10
K2052.20X40	steel	bright (black)	45 H	M20	15	40	10,36	12	10
K2052.20X50	steel	bright (black)	45 H	M20	15	50	10,36	12	10
K2052.20X60	steel	bright (black)	45 H	M20	15	60	10,36	12	10
K2052.20X70	steel	bright (black)	45 H	M20	15	70	10,36	12	10
K2052.403X6	steel	galvanised	45 H	M3	2	6	1,75	2	1,5
K2052.403X8	steel	galvanised	45 H	M3	2	8	1,75	2	1,5
K2052.403X10	steel	galvanised	45 H	M3	2	10	1,75	2	1,5
K2052.403X12	steel	galvanised	45 H	M3	2	12	1,75	2	1,5
K2052.403X16	steel	galvanised	45 H	M3	2	16	1,75	2	1,5
K2052.403X20	steel	galvanised	45 H	M3	2	20	1,75	2	1,5
K2052.404X4	steel	galvanised	45 H	M4	2,5	4	1,25	1,5	2
K2052.404X5	steel	galvanised	45 H	M4	2,5	5	1,25	1,5	2
K2052.404X6	steel	galvanised	45 H	M4	2,5	6	1,25	1,5	2
K2052.404X8	steel	galvanised	45 H	M4	2,5	8	2,25	2,5	2
K2052.404X10	steel	galvanised	45 H	M4	2,5	10	2,25	2,5	2
K2052.404X12	steel	galvanised	45 H	M4	2,5	12	2,25	2,5	2
K2052.404X16	steel	galvanised	45 H	M4	2,5	16	2,25	2,5	2
K2052.404X20	steel	galvanised	45 H	M4	2,5	20	2,25	2,5	2
K2052.404X25	steel	galvanised	45 H	M4	2,5	25	2,25	2,5	2
K2052.404X30	steel	galvanised	45 H	M4	2,5	30	2,25	2,5	2
K2052.405X5	steel	galvanised	45 H	M5	3,5	5	1,5	2	2,5
K2052.405X6	steel	galvanised	45 H	M5	3,5	6	1,5	2	2,5
K2052.405X8	steel	galvanised	45 H	M5	3,5	8	2,75	3	2,5
K2052.405X10	steel	galvanised	45 H	M5	3,5	10	2,75	3	2,5
K2052.405X12	steel	galvanised	45 H	M5	3,5	12	2,75	3	2,5
K2052.405X16	steel	galvanised	45 H	M5	3,5	16	2,75	3	2,5
K2052.405X20	steel	galvanised	45 H	M5	3,5	20	2,75	3	2,5
K2052.405X25	steel	galvanised	45 H	M5	3,5	25	2,75	3	2,5
K2052.405X30	steel	galvanised	45 H	M5	3,5	30	2,75	3	2,5
K2052.406X6	steel	galvanised	45 H	M6	4	6	1,75	2	3
K2052.406X8	steel	galvanised	45 H	M6	4	8	1,75	2	3
K2052.406X10	steel	galvanised	45 H	M6	4	10	3,25	3,5	3
K2052.406X12	steel	galvanised	45 H	M6	4	12	3,25	3,5	3
K2052.406X16	steel	galvanised	45 H	M6	4	16	3,25	3,5	3

Grub screws with hex socket and pin DIN EN ISO 4028

Overview of items

Order No.	Material	Surface finish body	Grade	D1	D2	L	L1 max.	T	SW
K2052.406X20	steel	galvanised	45 H	M6	4	20	3,25	3,5	3
K2052.406X25	steel	galvanised	45 H	M6	4	25	3,25	3,5	3
K2052.406X30	steel	galvanised	45 H	M6	4	30	3,25	3,5	3
K2052.406X35	steel	galvanised	45 H	M6	4	35	3,25	3,5	3
K2052.406X40	steel	galvanised	45 H	M6	4	40	3,25	3,5	3
K2052.406X50	steel	galvanised	45 H	M6	4	50	3,25	3,5	3
K2052.408X8	steel	galvanised	45 H	M8	5,5	8	2,25	3	4
K2052.408X10	steel	galvanised	45 H	M8	5,5	10	2,25	3	4
K2052.408X12	steel	galvanised	45 H	M8	5,5	12	4,3	5	4
K2052.408X16	steel	galvanised	45 H	M8	5,5	16	4,3	5	4
K2052.408X20	steel	galvanised	45 H	M8	5,5	20	4,3	5	4
K2052.408X25	steel	galvanised	45 H	M8	5,5	25	4,3	5	4
K2052.408X30	steel	galvanised	45 H	M8	5,5	30	4,3	5	4
K2052.408X35	steel	galvanised	45 H	M8	5,5	35	4,3	5	4
K2052.408X40	steel	galvanised	45 H	M8	5,5	40	4,3	5	4
K2052.408X50	steel	galvanised	45 H	M8	5,5	50	4,3	5	4
K2052.410X8	steel	galvanised	45 H	M10	7	8	2,75	4	5
K2052.410X12	steel	galvanised	45 H	M10	7	12	2,75	4	5
K2052.410X16	steel	galvanised	45 H	M10	7	16	5,3	6	5
K2052.410X20	steel	galvanised	45 H	M10	7	20	5,3	6	5
K2052.410X25	steel	galvanised	45 H	M10	7	25	5,3	6	5
K2052.410X30	steel	galvanised	45 H	M10	7	30	5,3	6	5
K2052.410X35	steel	galvanised	45 H	M10	7	35	5,3	6	5
K2052.410X40	steel	galvanised	45 H	M10	7	40	5,3	6	5
K2052.410X50	steel	galvanised	45 H	M10	7	50	5,3	6	5
K2052.410X60	steel	galvanised	45 H	M10	7	60	5,3	6	5
K2052.412X12	steel	galvanised	45 H	M12	8,5	12	3,25	4,8	6
K2052.412X16	steel	galvanised	45 H	M12	8,5	16	3,25	4,8	6
K2052.412X20	steel	galvanised	45 H	M12	8,5	20	6,3	8	6
K2052.412X25	steel	galvanised	45 H	M12	8,5	25	6,3	8	6
K2052.412X30	steel	galvanised	45 H	M12	8,5	30	6,3	8	6
K2052.412X35	steel	galvanised	45 H	M12	8,5	35	6,3	8	6
K2052.412X40	steel	galvanised	45 H	M12	8,5	40	6,3	8	6
K2052.412X50	steel	galvanised	45 H	M12	8,5	50	6,3	8	6
K2052.412X60	steel	galvanised	45 H	M12	8,5	60	6,3	8	6
K2052.412X70	steel	galvanised	45 H	M12	8,5	70	6,3	8	6
K2052.416X16	steel	galvanised	45 H	M16	12	16	4,3	6,4	8
K2052.416X20	steel	galvanised	45 H	M16	12	20	4,3	6,4	8
K2052.416X25	steel	galvanised	45 H	M16	12	25	8,36	10	8
K2052.416X30	steel	galvanised	45 H	M16	12	30	8,36	10	8
K2052.416X35	steel	galvanised	45 H	M16	12	35	8,36	10	8
K2052.416X40	steel	galvanised	45 H	M16	12	40	8,36	10	8
K2052.416X50	steel	galvanised	45 H	M16	12	50	8,36	10	8
K2052.416X60	steel	galvanised	45 H	M16	12	60	8,36	10	8
K2052.416X70	steel	galvanised	45 H	M16	12	70	8,36	10	8
K2052.420X25	steel	galvanised	45 H	M20	15	25	5,3	8	10
K2052.420X35	steel	galvanised	45 H	M20	15	35	10,36	12	10
K2052.420X40	steel	galvanised	45 H	M20	15	40	10,36	12	10
K2052.420X50	steel	galvanised	45 H	M20	15	50	10,36	12	10
K2052.420X60	steel	galvanised	45 H	M20	15	60	10,36	12	10
K2052.420X70	steel	galvanised	45 H	M20	15	70	10,36	12	10