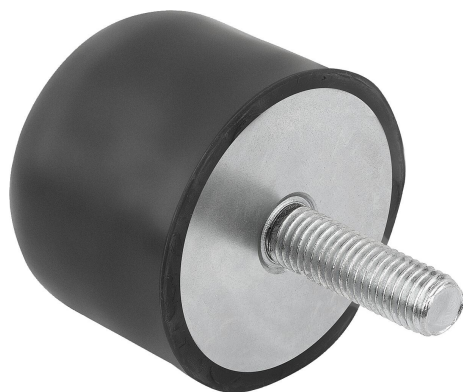


## Rubber buffers, steel type KRA spherical with external thread

### Item description/product images



### Description

**Material:**

Metal parts, steel grade 5.6.

Elastomer natural rubber, Shore hardness 55A or 70A.

**Version:**

Steel electro zinc-plated.

**Note:**

Rubber buffers are robust and effective elastic cushioning elements and shock absorbers. These rubber buffers are ideal for elastic travel limitation and cushioning knocks by mobile and immobile aggregates and machines and for general use as stops.

Due to the material composition, rubber buffers are contact-colouring, which can lead to abrasion marks and discolouration on e.g. floors or contact surfaces.

Rubber buffers made of light grey EPDM that are not contact-colouring are available on request.

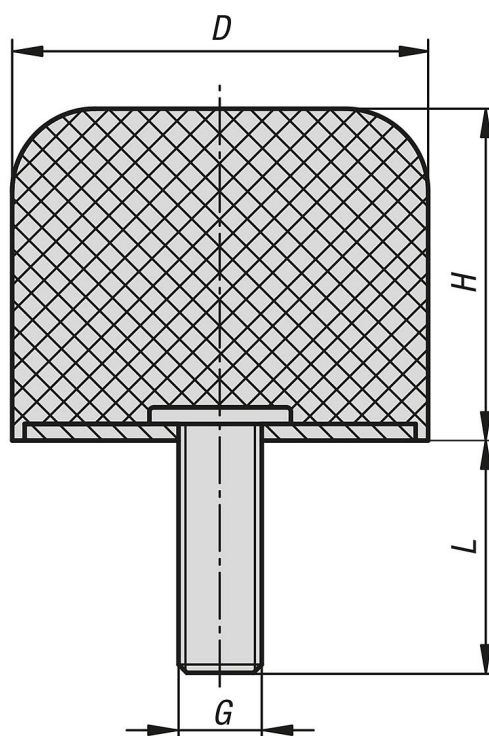
**Temperature range:**

-20 °C to +75 °C.

**On request:**

Other Shore grades.

### Drawings



### Overview of items

## Rubber buffers, steel type KRA spherical with external thread

### Overview of items

#### Rubber buffers, steel, type KRA spherical with external thread

Order No.	D	H	G	L	Spring stiffness N/mm	Load N	Shore grade
K2051.0400320857	40	32	M8	23	180	900	55A
K2051.0500401057	50	40	M10	28	200	1000	55A
K2051.0630501057	63	50	M10	28	280	1400	55A
K2051.0800631057	80	63	M10	28	380	1900	55A
K2051.0800631257	80	63	M12	37	380	1900	55A
K2051.1000801257	100	80	M12	36	460	2300	55A
K2051.1251001657	125	100	M16	36	580	2900	55A
K2051.1601251657	160	125	M16	44	760	3800	55A
K2051.2001602057	200	160	M20	44	940	4700	55A
K2051.0400320870	40	32	M8	23	800	4000	70A
K2051.0500401070	50	40	M10	28	1000	5000	70A
K2051.0630501070	63	50	M10	28	1200	6000	70A
K2051.0800631070	80	63	M10	28	1600	8000	70A
K2051.0800631270	80	63	M12	37	1600	8000	70A
K2051.1000801270	100	80	M12	36	2000	10000	70A
K2051.1251001670	125	100	M16	36	2400	12000	70A
K2051.1601251670	160	125	M16	44	3200	16000	70A
K2051.2001602070	200	160	M20	44	4000	20000	70A