

Indexing plungers steel or stainless steel with plastic eyelet grip

Item description/product images



Description

Product description:

Indexing plungers are used where any change in locking position due to lateral forces should be prevented. A new indexed position can only be moved to after the pin has been manually retracted.

Form C and D are recommended for applications where the indexing pin should remain disengaged for an extended period and be prevented from springing back.

Material:

Steel version:

Threaded sleeve free-cutting steel.

Indexing pin 1.4305.

Stainless steel version:

Threaded sleeve and indexing pin 1.4305.

Eyelet grip thermoplastic.

Version:

Steel version:

Threaded sleeve blue passivated.

Indexing pin not hardened, bright.

Stainless steel version:

Threaded sleeve bright.

Indexing pin not hardened, bright.

Eyelet grip black grey RAL 7021 or traffic red RAL 3020.

Note:

Pay attention to the max. tightening torque when assembling.

On request:

Special versions.

Drawing reference:

Form A: non-lockout type, without locknut

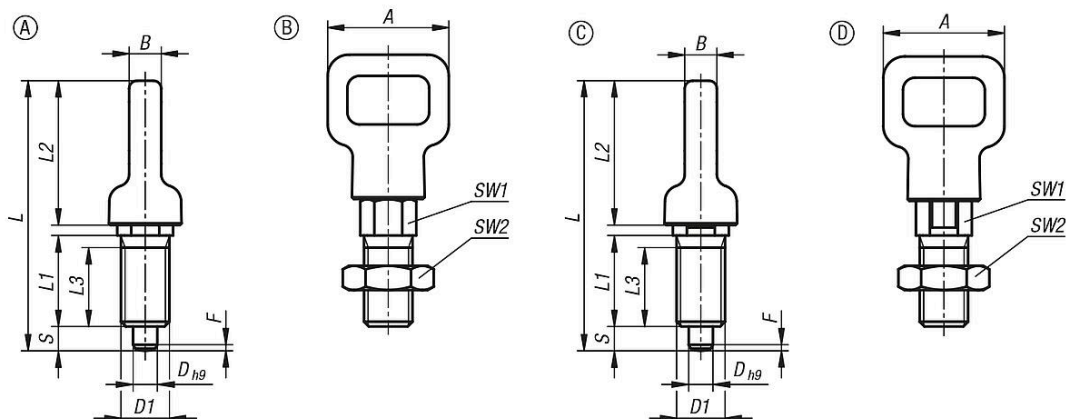
Form B: non-lockout type, with locknut

Form C: lockout type, without locknut

Form D: lockout type, with locknut

Indexing plungers steel or stainless steel with plastic eyelet grip

Drawings



Overview of items

Indexing plungers steel or stainless steel with plastic eyelet grip

Order No.	Form	Main material	Component colour	D	D1	A	B	L	L1	L2	L3	Travel S	SW1	SW2	Fx30°	Spring force initial pressure F1 approx. N	Spring force final pressure F2 approx. N	Tightening torque max. Nm
K2047.0104080	A	steel	black grey RAL 7021	4	M8	20	5,3	44,5	15	23,8	13	4	8	1	6	12	7	
K2047.0115100	A	steel	black grey RAL 7021	5	M10	25	6,7	52,2	17	28,5	15	5	10	1,3	6	12	15	
K2047.0126120	A	steel	black grey RAL 7021	6	M12	30	8	61,7	20	34	17	6	12	1,8	8	15	20	
K2047.0138160	A	steel	black grey RAL 7021	8	M16	40	10,7	81	26	45,3	23	8	16	2,3	8	19	90	
K2047.0104081	A	steel	black grey RAL 7021	4	M8x1	20	5,3	44,5	15	23,8	13	4	8	1	6	12	7	
K2047.0115101	A	steel	black grey RAL 7021	5	M10x1	25	6,7	52,2	17	28,5	15	5	10	1,3	6	12	15	
K2047.0126121	A	steel	black grey RAL 7021	6	M12x1,5	30	8	61,7	20	34	17	6	12	1,8	8	15	20	
K2047.0138161	A	steel	black grey RAL 7021	8	M16x1,5	40	10,7	81	26	45,3	23	8	16	2,3	8	19	90	
K2047.010408084	A	steel	traffic red RAL 3020	4	M8	20	5,3	44,5	15	23,8	13	4	8	1	6	12	7	
K2047.011510084	A	steel	traffic red RAL 3020	5	M10	25	6,7	52,2	17	28,5	15	5	10	1,3	6	12	15	
K2047.012612084	A	steel	traffic red RAL 3020	6	M12	30	8	61,7	20	34	17	6	12	1,8	8	15	20	
K2047.013816084	A	steel	traffic red RAL 3020	8	M16	40	10,7	81	26	45,3	23	8	16	2,3	8	19	90	
K2047.010408184	A	steel	traffic red RAL 3020	4	M8x1	20	5,3	44,5	15	23,8	13	4	8	1	6	12	7	
K2047.011510184	A	steel	traffic red RAL 3020	5	M10x1	25	6,7	52,2	17	28,5	15	5	10	1,3	6	12	15	
K2047.012612184	A	steel	traffic red RAL 3020	6	M12x1,5	30	8	61,7	20	34	17	6	12	1,8	8	15	20	
K2047.013816184	A	steel	traffic red RAL 3020	8	M16x1,5	40	10,7	81	26	45,3	23	8	16	2,3	8	19	90	
K2047.1104080	A	stainless steel	black grey RAL 7021	4	M8	20	5,3	44,5	15	23,8	13	4	8	1	6	12	7	
K2047.1115100	A	stainless steel	black grey RAL 7021	5	M10	25	6,7	52,2	17	28,5	15	5	10	1,3	6	12	15	
K2047.1126120	A	stainless steel	black grey RAL 7021	6	M12	30	8	61,7	20	34	17	6	12	1,8	8	15	20	
K2047.1138160	A	stainless steel	black grey RAL 7021	8	M16	40	10,7	81	26	45,3	23	8	16	2,3	8	19	90	
K2047.1104081	A	stainless steel	black grey RAL 7021	4	M8x1	20	5,3	44,5	15	23,8	13	4	8	1	6	12	7	
K2047.1115101	A	stainless steel	black grey RAL 7021	5	M10x1	25	6,7	52,2	17	28,5	15	5	10	1,3	6	12	15	
K2047.1126121	A	stainless steel	black grey RAL 7021	6	M12x1,5	30	8	61,7	20	34	17	6	12	1,8	8	15	20	
K2047.1138161	A	stainless steel	black grey RAL 7021	8	M16x1,5	40	10,7	81	26	45,3	23	8	16	2,3	8	19	90	
K2047.110408084	A	stainless steel	traffic red RAL 3020	4	M8	20	5,3	44,5	15	23,8	13	4	8	1	6	12	7	
K2047.111510084	A	stainless steel	traffic red RAL 3020	5	M10	25	6,7	52,2	17	28,5	15	5	10	1,3	6	12	15	
K2047.112612084	A	stainless steel	traffic red RAL 3020	6	M12	30	8	61,7	20	34	17	6	12	1,8	8	15	20	
K2047.113816084	A	stainless steel	traffic red RAL 3020	8	M16	40	10,7	81	26	45,3	23	8	16	2,3	8	19	90	
K2047.110408184	A	stainless steel	traffic red RAL 3020	4	M8x1	20	5,3	44,5	15	23,8	13	4	8	1	6	12	7	
K2047.111510184	A	stainless steel	traffic red RAL 3020	5	M10x1	25	6,7	52,2	17	28,5	15	5	10	1,3	6	12	15	
K2047.112612184	A	stainless steel	traffic red RAL 3020	6	M12x1,5	30	8	61,7	20	34	17	6	12	1,8	8	15	20	
K2047.113816184	A	stainless steel	traffic red RAL 3020	8	M16x1,5	40	10,7	81	26	45,3	23	8	16	2,3	8	19	90	
K2047.0204080	B	steel	black grey RAL 7021	4	M8	20	5,3	44,5	15	23,8	13	4	8	13	1	6	12	7
K2047.0215100	B	steel	black grey RAL 7021	5	M10	25	6,7	52,2	17	28,5	15	5	10	17	1,3	6	12	15
K2047.0226120	B	steel	black grey RAL 7021	6	M12	30	8	61,7	20	34	17	6	12	19	1,8	8	15	20
K2047.0238160	B	steel	black grey RAL 7021	8	M16	40	10,7	81	26	45,3	23	8	16	24	2,3	8	19	90
K2047.0204081	B	steel	black grey RAL 7021	4	M8x1	20	5,3	44,5	15	23,8	13	4	8	13	1	6	12	7
K2047.0215101	B	steel	black grey RAL 7021	5	M10x1	25	6,7	52,2	17	28,5	15	5	10	17	1,3	6	12	15
K2047.0226121	B	steel	black grey RAL 7021	6	M12x1,5	30	8	61,7	20	34	17	6	12	19	1,8	8	15	20

Indexing plungers steel or stainless steel with plastic eyelet grip

Overview of items

Order No.	Form	Main material	Component colour	D	D1	A	B	L	L1	L2	L3	Travel S	SW1	SW2	Fx30°	Spring force initial pressure F1 approx. N	Spring force final pressure F2 approx. N	Tightening torque max. Nm
K2047.0238161	B	steel	black grey RAL 7021	8	M16x1,5	40	10,7	81	26	45,3	23	8	16	24	2,3	8	19	90
K2047.020408084	B	steel	traffic red RAL 3020	4	M8	20	5,3	44,5	15	23,8	13	4	8	13	1	6	12	7
K2047.021510084	B	steel	traffic red RAL 3020	5	M10	25	6,7	52,2	17	28,5	15	5	10	17	1,3	6	12	15
K2047.022612084	B	steel	traffic red RAL 3020	6	M12	30	8	61,7	20	34	17	6	12	19	1,8	8	15	20
K2047.023816084	B	steel	traffic red RAL 3020	8	M16	40	10,7	81	26	45,3	23	8	16	24	2,3	8	19	90
K2047.020408184	B	steel	traffic red RAL 3020	4	M8x1	20	5,3	44,5	15	23,8	13	4	8	13	1	6	12	7
K2047.021510184	B	steel	traffic red RAL 3020	5	M10x1	25	6,7	52,2	17	28,5	15	5	10	17	1,3	6	12	15
K2047.022612184	B	steel	traffic red RAL 3020	6	M12x1,5	30	8	61,7	20	34	17	6	12	19	1,8	8	15	20
K2047.023816184	B	steel	traffic red RAL 3020	8	M16x1,5	40	10,7	81	26	45,3	23	8	16	24	2,3	8	19	90
K2047.1204080	B	stainless steel	black grey RAL 7021	4	M8	20	5,3	44,5	15	23,8	13	4	8	13	1	6	12	7
K2047.1215100	B	stainless steel	black grey RAL 7021	5	M10	25	6,7	52,2	17	28,5	15	5	10	17	1,3	6	12	15
K2047.1226120	B	stainless steel	black grey RAL 7021	6	M12	30	8	61,7	20	34	17	6	12	19	1,8	8	15	20
K2047.1238160	B	stainless steel	black grey RAL 7021	8	M16	40	10,7	81	26	45,3	23	8	16	24	2,3	8	19	90
K2047.1204081	B	stainless steel	black grey RAL 7021	4	M8x1	20	5,3	44,5	15	23,8	13	4	8	13	1	6	12	7
K2047.1215101	B	stainless steel	black grey RAL 7021	5	M10x1	25	6,7	52,2	17	28,5	15	5	10	17	1,3	6	12	15
K2047.1226121	B	stainless steel	black grey RAL 7021	6	M12x1,5	30	8	61,7	20	34	17	6	12	19	1,8	8	15	20
K2047.1238161	B	stainless steel	black grey RAL 7021	8	M16x1,5	40	10,7	81	26	45,3	23	8	16	24	2,3	8	19	90
K2047.120408084	B	stainless steel	traffic red RAL 3020	4	M8	20	5,3	44,5	15	23,8	13	4	8	13	1	6	12	7
K2047.121510084	B	stainless steel	traffic red RAL 3020	5	M10	25	6,7	52,2	17	28,5	15	5	10	17	1,3	6	12	15
K2047.122612084	B	stainless steel	traffic red RAL 3020	6	M12	30	8	61,7	20	34	17	6	12	19	1,8	8	15	20
K2047.123816084	B	stainless steel	traffic red RAL 3020	8	M16	40	10,7	81	26	45,3	23	8	16	24	2,3	8	19	90
K2047.120408184	B	stainless steel	traffic red RAL 3020	4	M8x1	20	5,3	44,5	15	23,8	13	4	8	13	1	6	12	7
K2047.121510184	B	stainless steel	traffic red RAL 3020	5	M10x1	25	6,7	52,2	17	28,5	15	5	10	17	1,3	6	12	15
K2047.122612184	B	stainless steel	traffic red RAL 3020	6	M12x1,5	30	8	61,7	20	34	17	6	12	19	1,8	8	15	20
K2047.123816184	B	stainless steel	traffic red RAL 3020	8	M16x1,5	40	10,7	81	26	45,3	23	8	16	24	2,3	8	19	90
K2047.0304080	C	steel	black grey RAL 7021	4	M8	20	5,3	44,5	15	23,8	13	4	8		1	6	12	7
K2047.0315100	C	steel	black grey RAL 7021	5	M10	25	6,7	52,2	17	28,5	15	5	10		1,3	6	12	15
K2047.0326120	C	steel	black grey RAL 7021	6	M12	30	8	61,7	20	34	17	6	12		1,8	8	15	20
K2047.0338160	C	steel	black grey RAL 7021	8	M16	40	10,7	81	26	45,3	23	8	16		2,3	8	19	90
K2047.0304081	C	steel	black grey RAL 7021	4	M8x1	20	5,3	44,5	15	23,8	13	4	8		1	6	12	7
K2047.0315101	C	steel	black grey RAL 7021	5	M10x1	25	6,7	52,2	17	28,5	15	5	10		1,3	6	12	15
K2047.0326121	C	steel	black grey RAL 7021	6	M12x1,5	30	8	61,7	20	34	17	6	12		1,8	8	15	20
K2047.0338161	C	steel	black grey RAL 7021	8	M16x1,5	40	10,7	81	26	45,3	23	8	16		2,3	8	19	90
K2047.030408084	C	steel	traffic red RAL 3020	4	M8	20	5,3	44,5	15	23,8	13	4	8		1	6	12	7
K2047.031510084	C	steel	traffic red RAL 3020	5	M10	25	6,7	52,2	17	28,5	15	5	10		1,3	6	12	15
K2047.032612084	C	steel	traffic red RAL 3020	6	M12	30	8	61,7	20	34	17	6	12		1,8	8	15	20
K2047.033816084	C	steel	traffic red RAL 3020	8	M16	40	10,7	81	26	45,3	23	8	16		2,3	8	19	90
K2047.030408184	C	steel	traffic red RAL 3020	4	M8x1	20	5,3	44,5	15	23,8	13	4	8		1	6	12	7
K2047.031510184	C	steel	traffic red RAL 3020	5	M10x1	25	6,7	52,2	17	28,5	15	5	10		1,3	6	12	15
K2047.032612184	C	steel	traffic red RAL 3020	6	M12x1,5	30	8	61,7	20	34	17	6	12		1,8	8	15	20
K2047.033816184	C	steel	traffic red RAL 3020	8	M16x1,5	40	10,7	81	26	45,3	23	8	16		2,3	8	19	90
K2047.1304080	C	stainless steel	black grey RAL 7021	4	M8	20	5,3	44,5	15	23,8	13	4	8		1	6	12	7
K2047.1315100	C	stainless steel	black grey RAL 7021	5	M10	25	6,7	52,2	17	28,5	15	5	10		1,3	6	12	15
K2047.1326120	C	stainless steel	black grey RAL 7021	6	M12	30	8	61,7	20	34	17	6	12		1,8	8	15	20
K2047.1338160	C	stainless steel	black grey RAL 7021	8	M16	40	10,7	81	26	45,3	23	8	16		2,3	8	19	90
K2047.1304081	C	stainless steel	black grey RAL 7021	4	M8x1	20	5,3	44,5	15	23,8	13	4	8		1	6	12	7
K2047.1315101	C	stainless steel	black grey RAL 7021	5	M10x1	25	6,7	52,2	17	28,5	15	5	10		1,3	6	12	15
K2047.1326121	C	stainless steel	black grey RAL 7021	6	M12x1,5	30	8	61,7	20	34	17	6	12		1,8	8	15	20
K2047.1338161	C	stainless steel	black grey RAL 7021	8	M16x1,5	40	10,7	81	26	45,3	23	8	16		2,3	8	19	90
K2047.130408084	C	stainless steel	traffic red RAL 3020	4	M8	20	5,3	44,5	15	23,8	13	4	8		1	6	12	7
K2047.131510084	C	stainless steel	traffic red RAL 3020	5	M10	25	6,7	52,2	17	28,5	15	5	10		1,3	6	12	15
K2047.132612084	C	stainless steel	traffic red RAL 3020	6	M12	30	8	61,7	20	34	17	6	12		1,8	8	15	20
K2047.133816084	C	stainless steel	traffic red RAL 3020	8	M16	40	10,7	81	26	45,3	23	8	16		2,3	8	19	90
K2047.130408184	C	stainless steel	traffic red RAL 3020	4	M8x1	20	5,3	44,5	15	23,8	13	4	8		1	6	12	7
K2047.131510184	C	stainless steel	traffic red RAL 3020	5	M10x1	25	6,7	52,2	17	28,5	15	5	10		1,3	6	12	15
K2047.132612184	C	stainless steel	traffic red RAL 3020	6	M12x1,5	30	8	61,7	20	34	17	6	12		1,8	8	15	20
K2047.133816184	C	stainless steel	traffic red RAL 3020	8	M16x1,5	40	10,7	81	26	45,3	23	8	16		2,3	8	19	90
K2047.0404080	D	steel	black grey RAL 7021	4	M8	20	5,3	44,5	15	23,8	13	4	8	13	1	6	12	7
K2047.0415100	D	steel	black grey RAL 7021	5	M10	25	6,7	52,2	17	28,5	15	5	10	17	1,3	6	12	15
K2047.0426120	D	steel	black grey RAL 7021	6	M12	30	8	61,7	20	34	17	6	12	19	1,8	8	15	20
K2047.0438160	D	steel	black grey RAL 7021	8	M16	40	10,7	81	26	45,3	23	8	16	24	2,3	8	19	90

Indexing plungers steel or stainless steel with plastic eyelet grip

Overview of items

Order No.	Form	Main material	Component colour	D	D1	A	B	L	L1	L2	L3	Travel S	SW1	SW2	Fx30°	Spring force initial pressure F1 approx. N	Spring force final pressure F2 approx. N	Tightening torque max. Nm
K2047.0404081	D	steel	black grey RAL 7021	4	M8x1	20	5,3	44,5	15	23,8	13	4	8	13	1	6	12	7
K2047.0415101	D	steel	black grey RAL 7021	5	M10x1	25	6,7	52,2	17	28,5	15	5	10	17	1,3	6	12	15
K2047.0426121	D	steel	black grey RAL 7021	6	M12x1,5	30	8	61,7	20	34	17	6	12	19	1,8	8	15	20
K2047.0438161	D	steel	black grey RAL 7021	8	M16x1,5	40	10,7	81	26	45,3	23	8	16	24	2,3	8	19	90
K2047.040408084	D	steel	traffic red RAL 3020	4	M8	20	5,3	44,5	15	23,8	13	4	8	13	1	6	12	7
K2047.041510084	D	steel	traffic red RAL 3020	5	M10	25	6,7	52,2	17	28,5	15	5	10	17	1,3	6	12	15
K2047.042612084	D	steel	traffic red RAL 3020	6	M12	30	8	61,7	20	34	17	6	12	19	1,8	8	15	20
K2047.043816084	D	steel	traffic red RAL 3020	8	M16	40	10,7	81	26	45,3	23	8	16	24	2,3	8	19	90
K2047.040408184	D	steel	traffic red RAL 3020	4	M8x1	20	5,3	44,5	15	23,8	13	4	8	13	1	6	12	7
K2047.041510184	D	steel	traffic red RAL 3020	5	M10x1	25	6,7	52,2	17	28,5	15	5	10	17	1,3	6	12	15
K2047.042612184	D	steel	traffic red RAL 3020	6	M12x1,5	30	8	61,7	20	34	17	6	12	19	1,8	8	15	20
K2047.043816184	D	steel	traffic red RAL 3020	8	M16x1,5	40	10,7	81	26	45,3	23	8	16	24	2,3	8	19	90
K2047.1404080	D	stainless steel	black grey RAL 7021	4	M8	20	5,3	44,5	15	23,8	13	4	8	13	1	6	12	7
K2047.1415100	D	stainless steel	black grey RAL 7021	5	M10	25	6,7	52,2	17	28,5	15	5	10	17	1,3	6	12	15
K2047.1426120	D	stainless steel	black grey RAL 7021	6	M12	30	8	61,7	20	34	17	6	12	19	1,8	8	15	20
K2047.1438160	D	stainless steel	black grey RAL 7021	8	M16	40	10,7	81	26	45,3	23	8	16	24	2,3	8	19	90
K2047.1404081	D	stainless steel	black grey RAL 7021	4	M8x1	20	5,3	44,5	15	23,8	13	4	8	13	1	6	12	7
K2047.1415101	D	stainless steel	black grey RAL 7021	5	M10x1	25	6,7	52,2	17	28,5	15	5	10	17	1,3	6	12	15
K2047.1426121	D	stainless steel	black grey RAL 7021	6	M12x1,5	30	8	61,7	20	34	17	6	12	19	1,8	8	15	20
K2047.1438161	D	stainless steel	black grey RAL 7021	8	M16x1,5	40	10,7	81	26	45,3	23	8	16	24	2,3	8	19	90
K2047.140408084	D	stainless steel	traffic red RAL 3020	4	M8	20	5,3	44,5	15	23,8	13	4	8	13	1	6	12	7
K2047.141510084	D	stainless steel	traffic red RAL 3020	5	M10	25	6,7	52,2	17	28,5	15	5	10	17	1,3	6	12	15
K2047.142612084	D	stainless steel	traffic red RAL 3020	6	M12	30	8	61,7	20	34	17	6	12	19	1,8	8	15	20
K2047.143816084	D	stainless steel	traffic red RAL 3020	8	M16	40	10,7	81	26	45,3	23	8	16	24	2,3	8	19	90
K2047.140408184	D	stainless steel	traffic red RAL 3020	4	M8x1	20	5,3	44,5	15	23,8	13	4	8	13	1	6	12	7
K2047.141510184	D	stainless steel	traffic red RAL 3020	5	M10x1	25	6,7	52,2	17	28,5	15	5	10	17	1,3	6	12	15
K2047.142612184	D	stainless steel	traffic red RAL 3020	6	M12x1,5	30	8	61,7	20	34	17	6	12	19	1,8	8	15	20
K2047.143816184	D	stainless steel	traffic red RAL 3020	8	M16x1,5	40	10,7	81	26	45,3	23	8	16	24	2,3	8	19	90