

Wing grips "Miniwing" stainless steel

Item description/product images



Description

Product description:

The Miniwing wing grips is characterised by their ergonomic and compact design. The materials used enable diverse applications including those with the highest demands on corrosion resistance.

Material:

Stainless steel 1.4308 or 1.4404.

Version:

Polished or blasted.

Note:

The M5 thread is compatible with Hygienic USIT® sealing and shim washers K1491.

Accessory:

Hygienic USIT® sealing and shim washer K1491 for the screw-on surface.

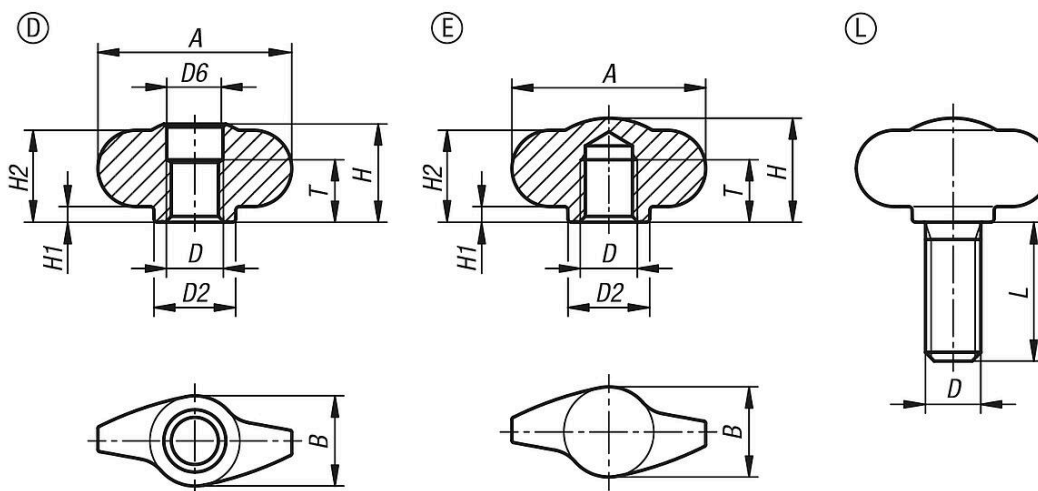
Drawing reference:

Form D: tapped through thread

Form E: tapped blind hole

Form L: external thread

Drawings



Overview of items

Wing grips "Miniwing" stainless steel

Order No.	Form	Steel key	Surface finish body	A	B	D	D2	D6	H	H1	H2	T	L
K2041.4280412	D	1.4308	polished	28	13	M4	11,8	8,1	14,1	2,25	13,25	9	-
K2041.4280512	D	1.4308	polished	28	13	M5	11,8	8,1	14,1	2,25	13,25	9	-
K2041.4280612	D	1.4308	polished	28	13	M6	11,8	8,1	14,1	2,25	13,25	9	-
K2041.4280812	D	1.4308	polished	28	13	M8	11,8	8,1	14,1	2,25	13,25	9	-
K2041.4280411	D	1.4308	blasted	28	13	M4	11,8	8,1	14,1	2,25	13,25	9	-
K2041.4280511	D	1.4308	blasted	28	13	M5	11,8	8,1	14,1	2,25	13,25	9	-

Wing grips "Miniwing" stainless steel

Overview of items

Order No.	Form	Steel key	Surface finish body	A	B	D	D2	D6	H	H1	H2	T	L
K2041.4280611	D	1.4308	blasted	28	13	M6	11,8	8,1	14,1	2,25	13,25	9	-
K2041.4280811	D	1.4308	blasted	28	13	M8	11,8	8,1	14,1	2,25	13,25	9	-
K2041.4280422	D	1.4404	polished	28	13	M4	11,8	8,1	14,1	2,25	13,25	9	-
K2041.4280522	D	1.4404	polished	28	13	M5	11,8	8,1	14,1	2,25	13,25	9	-
K2041.4280622	D	1.4404	polished	28	13	M6	11,8	8,1	14,1	2,25	13,25	9	-
K2041.4280822	D	1.4404	polished	28	13	M8	11,8	8,1	14,1	2,25	13,25	9	-
K2041.4280421	D	1.4404	blasted	28	13	M4	11,8	8,1	14,1	2,25	13,25	9	-
K2041.4280521	D	1.4404	blasted	28	13	M5	11,8	8,1	14,1	2,25	13,25	9	-
K2041.4280621	D	1.4404	blasted	28	13	M6	11,8	8,1	14,1	2,25	13,25	9	-
K2041.4280821	D	1.4404	blasted	28	13	M8	11,8	8,1	14,1	2,25	13,25	9	-
K2041.5280412	E	1.4308	polished	28	13	M4	11,8	-	15	2,25	13,25	6	-
K2041.5280512	E	1.4308	polished	28	13	M5	11,8	-	15	2,25	13,25	7,5	-
K2041.5280612	E	1.4308	polished	28	13	M6	11,8	-	15	2,25	13,25	9	-
K2041.5280812	E	1.4308	polished	28	13	M8	11,8	-	15	2,25	13,25	9	-
K2041.5280411	E	1.4308	blasted	28	13	M4	11,8	-	15	2,25	13,25	6	-
K2041.5280511	E	1.4308	blasted	28	13	M5	11,8	-	15	2,25	13,25	7,5	-
K2041.5280611	E	1.4308	blasted	28	13	M6	11,8	-	15	2,25	13,25	9	-
K2041.5280811	E	1.4308	blasted	28	13	M8	11,8	-	15	2,25	13,25	9	-
K2041.5280422	E	1.4404	polished	28	13	M4	11,8	-	15	2,25	13,25	6	-
K2041.5280522	E	1.4404	polished	28	13	M5	11,8	-	15	2,25	13,25	7,5	-
K2041.5280622	E	1.4404	polished	28	13	M6	11,8	-	15	2,25	13,25	9	-
K2041.5280822	E	1.4404	polished	28	13	M8	11,8	-	15	2,25	13,25	9	-
K2041.5280421	E	1.4404	blasted	28	13	M4	11,8	-	15	2,25	13,25	6	-
K2041.5280521	E	1.4404	blasted	28	13	M5	11,8	-	15	2,25	13,25	7,5	-
K2041.5280621	E	1.4404	blasted	28	13	M6	11,8	-	15	2,25	13,25	9	-
K2041.5280821	E	1.4404	blasted	28	13	M8	11,8	-	15	2,25	13,25	9	-
K2041.6280412X8	L	1.4308	polished	28	13	M4	11,8	-	15	2,25	13,25	-	8
K2041.6280512X10	L	1.4308	polished	28	13	M5	11,8	-	15	2,25	13,25	-	10
K2041.6280512X15	L	1.4308	polished	28	13	M5	11,8	-	15	2,25	13,25	-	15
K2041.6280512X20	L	1.4308	polished	28	13	M5	11,8	-	15	2,25	13,25	-	20
K2041.6280612X10	L	1.4308	polished	28	13	M6	11,8	-	15	2,25	13,25	-	10
K2041.6280612X15	L	1.4308	polished	28	13	M6	11,8	-	15	2,25	13,25	-	15
K2041.6280612X20	L	1.4308	polished	28	13	M6	11,8	-	15	2,25	13,25	-	20
K2041.6280612X25	L	1.4308	polished	28	13	M6	11,8	-	15	2,25	13,25	-	25
K2041.6280612X30	L	1.4308	polished	28	13	M6	11,8	-	15	2,25	13,25	-	30
K2041.6280812X20	L	1.4308	polished	28	13	M8	11,8	-	15	2,25	13,25	-	20
K2041.6280812X25	L	1.4308	polished	28	13	M8	11,8	-	15	2,25	13,25	-	25
K2041.6280812X30	L	1.4308	polished	28	13	M8	11,8	-	15	2,25	13,25	-	30
K2041.6280812X40	L	1.4308	polished	28	13	M8	11,8	-	15	2,25	13,25	-	40
K2041.6280411X8	L	1.4308	blasted	28	13	M4	11,8	-	15	2,25	13,25	-	8
K2041.6280511X10	L	1.4308	blasted	28	13	M5	11,8	-	15	2,25	13,25	-	10
K2041.6280511X15	L	1.4308	blasted	28	13	M5	11,8	-	15	2,25	13,25	-	15
K2041.6280511X20	L	1.4308	blasted	28	13	M5	11,8	-	15	2,25	13,25	-	20
K2041.6280611X10	L	1.4308	blasted	28	13	M6	11,8	-	15	2,25	13,25	-	10
K2041.6280611X15	L	1.4308	blasted	28	13	M6	11,8	-	15	2,25	13,25	-	15
K2041.6280611X20	L	1.4308	blasted	28	13	M6	11,8	-	15	2,25	13,25	-	20
K2041.6280611X25	L	1.4308	blasted	28	13	M6	11,8	-	15	2,25	13,25	-	25
K2041.6280611X30	L	1.4308	blasted	28	13	M6	11,8	-	15	2,25	13,25	-	30
K2041.6280811X20	L	1.4308	blasted	28	13	M8	11,8	-	15	2,25	13,25	-	20
K2041.6280811X25	L	1.4308	blasted	28	13	M8	11,8	-	15	2,25	13,25	-	25
K2041.6280811X30	L	1.4308	blasted	28	13	M8	11,8	-	15	2,25	13,25	-	30
K2041.6280811X40	L	1.4308	blasted	28	13	M8	11,8	-	15	2,25	13,25	-	40
K2041.6280422X8	L	1.4404	polished	28	13	M4	11,8	-	15	2,25	13,25	-	8
K2041.6280522X10	L	1.4404	polished	28	13	M5	11,8	-	15	2,25	13,25	-	10
K2041.6280522X15	L	1.4404	polished	28	13	M5	11,8	-	15	2,25	13,25	-	15
K2041.6280522X20	L	1.4404	polished	28	13	M5	11,8	-	15	2,25	13,25	-	20
K2041.6280622X10	L	1.4404	polished	28	13	M6	11,8	-	15	2,25	13,25	-	10
K2041.6280622X15	L	1.4404	polished	28	13	M6	11,8	-	15	2,25	13,25	-	15
K2041.6280622X20	L	1.4404	polished	28	13	M6	11,8	-	15	2,25	13,25	-	20
K2041.6280622X25	L	1.4404	polished	28	13	M6	11,8	-	15	2,25	13,25	-	25
K2041.6280622X30	L	1.4404	polished	28	13	M6	11,8	-	15	2,25	13,25	-	30
K2041.6280822X20	L	1.4404	polished	28	13	M8	11,8	-	15	2,25	13,25	-	20

Wing grips "Miniwing" stainless steel

Overview of items

Order No.	Form	Steel key	Surface finish body	A	B	D	D2	D6	H	H1	H2	T	L
K2041.6280822X25	L	1.4404	polished	28	13	M8	11,8	-	15	2,25	13,25	-	25
K2041.6280822X30	L	1.4404	polished	28	13	M8	11,8	-	15	2,25	13,25	-	30
K2041.6280822X40	L	1.4404	polished	28	13	M8	11,8	-	15	2,25	13,25	-	40
K2041.6280421X8	L	1.4404	blasted	28	13	M4	11,8	-	15	2,25	13,25	-	8
K2041.6280521X10	L	1.4404	blasted	28	13	M5	11,8	-	15	2,25	13,25	-	10
K2041.6280521X15	L	1.4404	blasted	28	13	M5	11,8	-	15	2,25	13,25	-	15
K2041.6280521X20	L	1.4404	blasted	28	13	M5	11,8	-	15	2,25	13,25	-	20
K2041.6280621X10	L	1.4404	blasted	28	13	M6	11,8	-	15	2,25	13,25	-	10
K2041.6280621X15	L	1.4404	blasted	28	13	M6	11,8	-	15	2,25	13,25	-	15
K2041.6280621X20	L	1.4404	blasted	28	13	M6	11,8	-	15	2,25	13,25	-	20
K2041.6280621X25	L	1.4404	blasted	28	13	M6	11,8	-	15	2,25	13,25	-	25
K2041.6280621X30	L	1.4404	blasted	28	13	M6	11,8	-	15	2,25	13,25	-	30
K2041.6280821X20	L	1.4404	blasted	28	13	M8	11,8	-	15	2,25	13,25	-	20
K2041.6280821X25	L	1.4404	blasted	28	13	M8	11,8	-	15	2,25	13,25	-	25
K2041.6280821X30	L	1.4404	blasted	28	13	M8	11,8	-	15	2,25	13,25	-	30
K2041.6280821X40	L	1.4404	blasted	28	13	M8	11,8	-	15	2,25	13,25	-	40